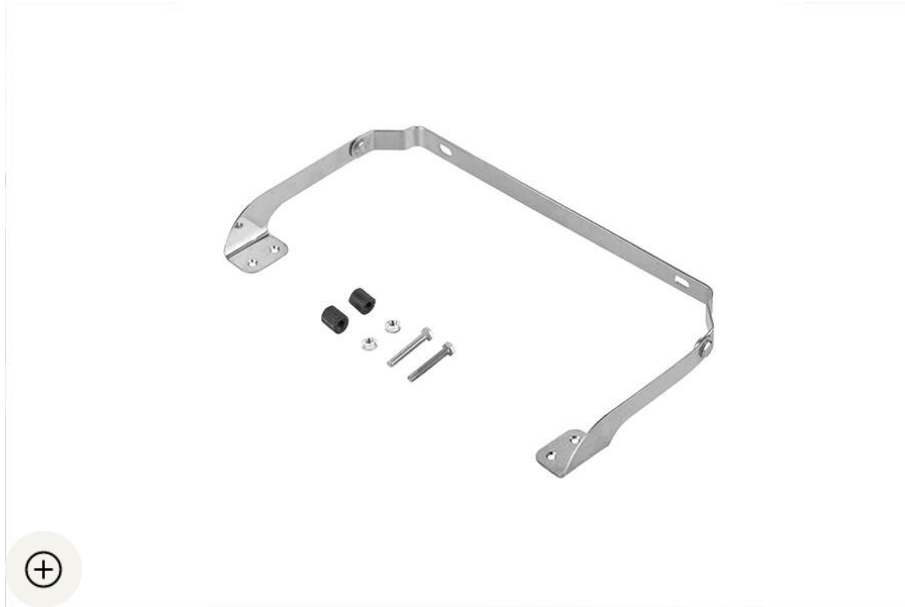


Hinges for bidet cover - N/A

Ref. 2144111

EAN Code. -



Technical Information

Weight: 0.30 kg

Collection: [Componentes](#)

Product type: Seats and covers

Material: Stainless steel

Downloads

Assembly Instructions

2144111 IMO (PDF) ,

