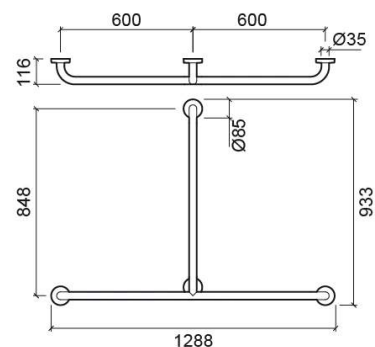


New WcCare 120 T-shaped support rail - Brushed stainless steel

Ref. 4296513

EAN Code. 5604815900446



Description

VAT at reduced rate (DL 163/2006 of 8 August 2006) ?
Accessibility Act.

Features

- Fixing kit included (for masonry walls)

Technical Information

Length: 1288 mm

Width: 116 mm

Height: 933 mm

Weight: 3.64 kg

Collection: [New WcCare](#)

Product type: Reduced mobility

Material: Stainless steel

Installation type: Wall mounted

Downloads

Cleaning Manuals

[Cleaning Manual \(PDF\)](#) ,

2D & 3D Files

[42965 CAD 2D \(ZIP\)](#) , [42965 CAD 3D \(ZIP\)](#) ,

Assembly Instructions

[42954 \(PDF\)](#) ,

Technical Drawings

[42965 DT \(PDF\)](#) ,

