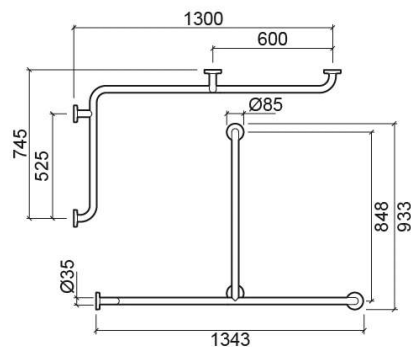


New WcCare T-shaped corner support rail - Brushed stainless steel

Ref. 4295913

EAN Code. 5604815900460



Description

VAT at reduced rate (DL 163/2006 of 8 August 2006) ?
Accessibility Act.

Features

- Fixing kit included (for masonry walls)

Technical Information

Length: 1343 mm

Width: 116 mm

Height: 933 mm

Weight: 4.66 kg

Collection: New WcCare

Product type: Reduced mobility

Material: Stainless steel

Installation type: Wall mounted

Downloads

Cleaning Manuals

[Cleaning Manual \(PDF\)](#) ,

2D & 3D Files

[42959 CAD 2D \(ZIP\)](#) , [42959 CAD 3D \(ZIP\)](#) ,

Assembly Instructions

[42954 \(PDF\)](#) ,

Technical Drawings

[42959 DT \(PDF\)](#) ,

