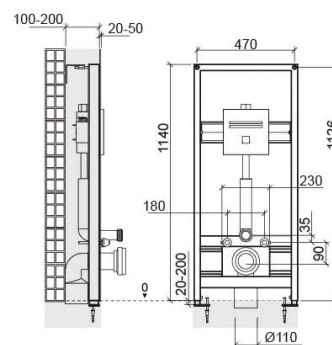


## Plan support frame with battery operated electronic flush plate for wall hung toilet - Blue and Chrome

Ref. 5E12077113

EAN Code. 5604815608977



### Technical Information

Length: 470 mm

Width: 200 mm

Height: 1140 mm

Weight: 18.90 kg

Collection: [Plan](#)

Product type: Installation and Flush Systems

Material: Steel; Polypropylene

Installation type: Concealed

### Features

- Application - for wall hung toilets on straight masonry walls
- With 4 fixing points - 2 to the floor and 2 to the wall
- With double sound insulation and anti-condensation
- With low-battery indicator
- With anti-corrosion coating
- Power consumption - 300mA
- Equipped with dual flush mechanism pre-adjusted to 3/6Lpf
- Front wall thickness - 20 to 50mm
- Fixing kit for mounting the support frame on the floor/wall, fixing kit for mounting the toilet on the support frame and fixing kit for mounting the plate on the support frame included
- Support legs with adjustable height - 20 to 200mm
- Supported static weight - 400kg
- Flush position - front
- The functions can be adjusted using the remote control (not included)
- The flush volume can be adjusted according to toilet performance

- Recommended operating pressure - 1 to 8 Bar
- Adjustable depth - 100 to 200mm
- Self-adjustable action radius - 300 to 700mm
- Use a pressure reducer for pressure values higher than 8 Bar
- Flush plate power supply - 9V battery
- 90/110 Flush elbow with adjustable position



## Downloads

### Technical Drawings

[5E12077 DT \(PDF\)](#) ,

### Installation Dimensions

[Cotas de Instalação Sanitas Suspensas \(PDF\)](#) ,

### Instructions Manuals

[manual placa descarga plan \(PDF\)](#) ,

