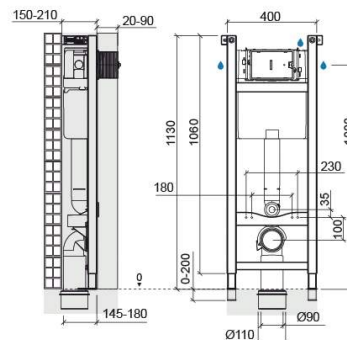


Quadro support frame for wall hung toilet - White

Ref. 443 EAN Code. 5604815897555



Technical Information

Length: 400 mm

Width: 210 mm

Height: 1600 mm

Weight: 12.80 kg

Collection: Quadro

Product type: Installation and Flush Systems

Material: Steel; Polypropylene

Installation type: Concealed

Features

- Application - for wall hung toilets on straight masonry walls
- With 4 fixing points - 2 to the floor and 2 to the wall
- With double sound insulation and anti-condensation
- With anti-corrosion coating
- Equipped with dual flush mechanism pre-adjusted to 3/6Lpf
- Front wall thickness - 20 to 90mm
- Easy access to the inside for maintenance
- Fixing kit for mounting the support frame on the floor/wall and fixing kit for mounting the toilet on the support frame included
- Operating mode - pneumatic activation
- Support legs with adjustable height - 0 to 200mm
- Supported static weight - 400kg
- Water inlet position - top right, side right or side left
- The flush position can be set as top or front
- The flush volume can be adjusted according to toilet performance
- Recommended operating pressure - Lowest 0.5 - Highest 10 Bar
- Adjustable depth - 150 to 210mm

- Water inlet - G1/2"
- 90/110 Flush elbow with adjustable position



Downloads

2D & 3D Files

[443 CAD 2D \(ZIP\)](#) ,

Assembly Instructions

[IM sanita sospensa \(PDF\)](#) ,

Technical Drawings

[443 DT \(PDF\)](#) ,

Installation Dimensions

[Cotas de Instalação Sanitas Suspendas \(PDF\)](#) ,

Instructions Manuals

[Technical Specifications 443 449 453 \(ZIP\)](#) ,

Components

[443 Components \(PDF\)](#) ,

Quality, Environment and OSH

[Declaration of Performance - WC flushing cisterns \(PDF\)](#) ,

