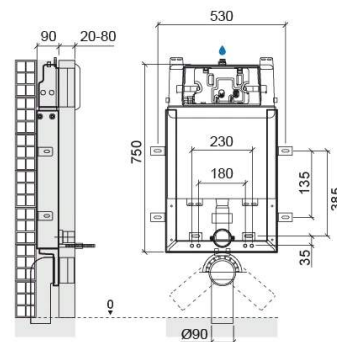


## Sanbest support frame for wall hung toilet - White and Chrome

Ref. 40533 EAN Code. 5604815905267



### Technical Information

Length: 470 mm

Width: 90 mm

Height: 750 mm

Weight: 8.20 kg

Collection: Sanbest

Product type: Installation and Flush Systems

Material: ABS; Steel

Installation type: Concealed

### Features

- With 4 wall fixing points
- With double sound insulation and anti-condensation
- With anti-corrosion coating
- Equipped with pre-set dual flush mechanism at 3/6Lpf
- Front wall thickness - 20 to 80mm
- Easy access to the inside for maintenance
- Fixing kit for mounting the support frame on the wall and fixing kit for mounting the toilet on the support frame included
- Operating mode - mechanic activation
- Supported static weight - 400kg
- Water inlet position - top centre
- Flush position - front
- The flush volume can be adjusted according to toilet performance
- Recommended operating pressure - Lowest 0.5 - Highest 10 Bar
- Depth not adjustable
- Water inlet - G1/2"
- Application - for wall hung toilets, built-in and fixed to masonry walls

## Downloads

### Water Efficiency

[EH - Sanbest 40533 40533CNT \(PDF\)](#) ,

### 2D & 3D Files

[40533 CAD 2D \(ZIP\)](#) ,

### Assembly Instructions

[40533 \(PDF\)](#) ,

### Technical Drawings

[40533 DT \(PDF\)](#) ,

### Installation Dimensions

[Cotas de Instalação Sanitas Suspensas \(PDF\)](#) ,

### Components

[40533 Components \(PDF\)](#) ,

### Quality, Environment and OSH

[Declaration of Performance - WC flushing cisterns \(PDF\)](#) ,

