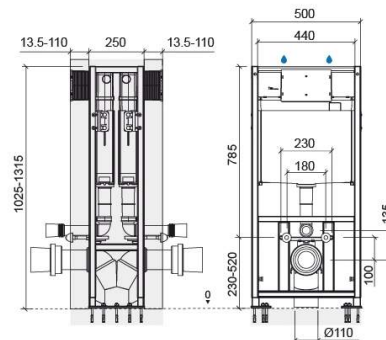


# Sandouble self-supporting frame for 2 wall hung toilets - Matte Black and Chrome

Ref. 411023

EAN Code. 5604815909869



## Technical Information

Length: 500 mm

Width: 250 mm

Height: 1315 mm

Weight: 29 kg

Collection: [Sandouble](#)

Product type: Installation and Flush Systems

Material: Steel; Polypropylene

Installation type: Concealed

## Features

- Application - for 2 wall hung toilets on a concrete floor
- With 10 floor fixing points
- With double sound insulation and anti-condensation
- With anti-corrosion coating
- Equipped with dual flush mechanism pre-adjusted to 3/6Lpf
- Front wall thickness - 13.5 to 110mm
- Easy access to the inside for maintenance
- Fixing kit for mounting the support frame on the floor and fixing kit for mounting the toilets on the support frame included
- Operating mode - mechanic activation
- Support legs with adjustable height - 0 to 290mm
- Supported static weight - 400kg
- Water inlet position - top centre
- Flush position - front
- The flush volume can be adjusted between 2.5/4.5Lpf and 4.5/9Lpf according to toilet performance
- Recommended operating pressure - Lowest 0.2 - Highest 16 Bar
- 6L filling time at 3 Bar - 39s
- Water inlet - G1/2"

## Downloads

### Water Efficiency

EH - Sanslim 4193311 e Sandouble 411023 (PDF) ,

### 2D & 3D Files

411023 CAD 3D (ZIP) ,

### Assembly Instructions

411023 (PDF) ,

### Technical Drawings

411023 DT (PDF) ,

### Installation Dimensions

Cotas de Instalação Sanitas Suspensas (PDF) ,

### Components

411023 Components (PDF) ,

### Quality, Environment and OSH

Declaration of Performance - WC flushing cisterns (PDF) ,

