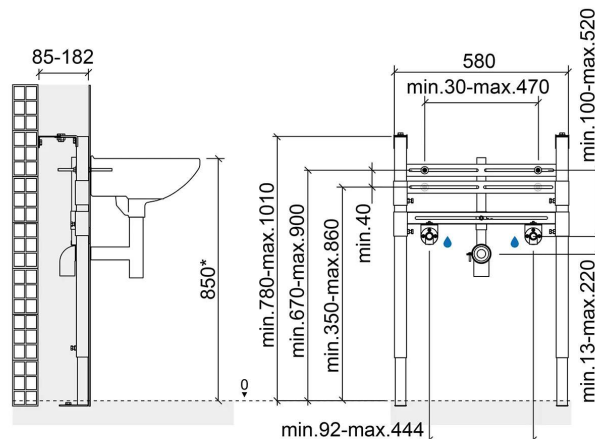


Sanfix basin support frame - Blue and Chrome

Ref. 420

EAN Code. 5604815914597



Technical Information

Length: 580 mm

Width: 182 mm

Height: 1010 mm

Weight: 11.70 kg

Collection: [Sanfix](#)

Product type: Installation and Flush Systems

Material: Epoxy coated 2mm steel

Installation type: Concealed

Features

- With 4 fixing points - 2 to the floor and 2 to the wall
- With anti-corrosion coating
- Distance between the adjustable basin fixing holes - 30 to 470mm
- Wall and floor fixing kit included
- Support legs with adjustable height - 0 to 230mm
- Supported static weight - 150kg
- The basin height can be adjusted
- Basins with unlevelled fixing holes can be installed
- Adjustable depth - 85 to 182mm
- Application - for basins with 2 fixing holes and tap hole on straight masonry

Downloads

Cleaning Manuals

Cleaning Manual (PDF) ,

Assembly Instructions

Washbasin Mounting Frame - Sanfix 420 429 (PDF) ,

Technical Drawings

420 DT (PDF) ,

