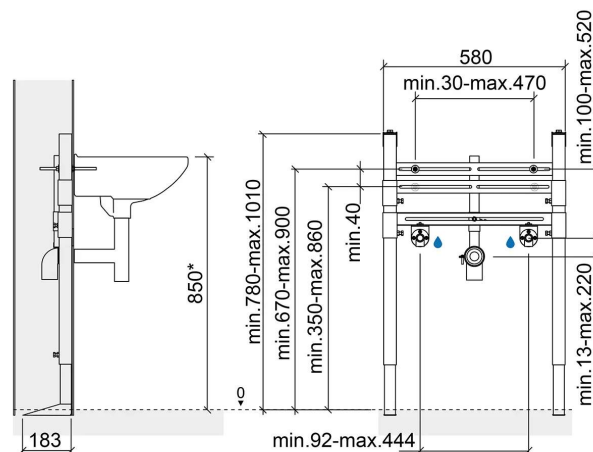


Sanfix self-supporting basin frame - Blue and Chrome

Ref. 429 EAN Code. 5604815914603



Technical Information

Length: 580 mm
Width: 183 mm
Height: 1010 mm
Weight: 11.40 kg

Collection: [Sanfix](#)

Product type: Installation and Flush Systems

Material: Epoxy coated 2mm steel

Installation type: Concealed

Features

- Application - for basins with 2 fixing holes and tap hole on straight lightweight walls
- With 4 floor fixing points
- With anti-corrosion coating
- Distance between the adjustable basin fixing holes - 30 to 470mm
- Floor fixing kit included
- Support legs with adjustable height - 0 to 230mm
- Supported static weight - 150kg
- The basin height can be adjusted
- Basins with unlevelled fixing holes can be installed

Downloads

Cleaning Manuals

Cleaning Manual (PDF) ,

Assembly Instructions

Washbasin Mounting Frame - Sanfix 420 429 (PDF) ,

Technical Drawings

429 DT (PDF) ,

