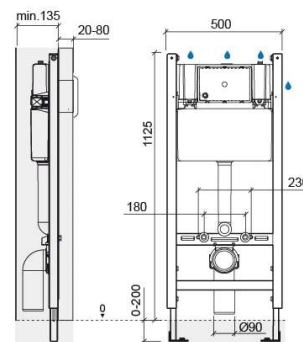


Sanfix self-supporting frame for wall hung toilet - Blue and Chrome

Ref. 40323 EAN Code. 5604815900859



Technical Information

Length: 500 mm

Width: 135 mm

Height: 1125 mm

Weight: 16.60 kg

Collection: [Sanfix](#)

Product type: Installation and Flush Systems

Material: Steel; Polypropylene

Installation type: Concealed

Features

- With 8 floor fixing points
- With double sound insulation and anti-condensation
- With anti-corrosion coating
- Equipped with dual flush mechanism pre-adjusted to 3/6Lpf
- Front wall thickness - 20 to 80mm
- Easy access to the inside for maintenance
- Fixing kit for mounting the support frame on the floor and fixing kit for mounting the toilet on the support frame included
- Operating mode - mechanic activation
- Support legs with adjustable height - 0 to 200mm
- Supported static weight - 400kg
- Water inlet position - top right, side right or side left
- Flush position - front
- The flush volume can be adjusted according to toilet performance
- Recommended operating pressure - Lowest 0.5 - Highest 10 Bar
- Depth not adjustable
- Water inlet - G1/2"
- Application - for wall hung toilets on straight lightweight walls

Downloads

2D & 3D Files

[40323 CAD 2D \(ZIP\)](#) ,

Assembly Instructions

[40323 \(PDF\)](#) ,

Technical Drawings

[40323 DT \(PDF\)](#) ,

Installation Dimensions

[Cotas de Instalação Sanitas Suspensas \(PDF\)](#) ,

Components

[40323 Components \(PDF\)](#) ,

Quality, Environment and OSH

[Declaration of Performance - WC flushing cisterns \(PDF\)](#) ,

