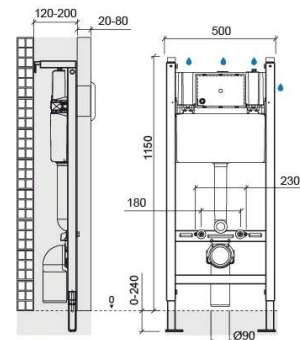


Sanfix support frame for wall hung toilet - Blue and Chrome

Ref. 40333 EAN Code. 5604815900088



Technical Information

Length: 500 mm
Width: 200 mm
Height: 1150 mm
Weight: 16.33 kg

Collection: [Sanfix](#)

Product type: Installation and Flush Systems

Material: Steel; Polypropylene

Installation type: Concealed

Features

- With 4 fixing points - 2 to the floor and 2 to the wall
- With double sound insulation and anti-condensation
- With anti-corrosion coating
- Equipped with dual flush mechanism pre-adjusted to 3/6Lpf
- Front wall thickness - 20 to 80mm
- Easy access to the inside for maintenance
- Fixing kit for mounting the support frame on the wall and fixing kit for mounting the toilet on the support frame included
- Operating mode - mechanic activation
- Support legs with adjustable height - 0 to 240mm
- Supported static weight - 400kg
- Water inlet position - top right, side right or side left
- Flush position - front
- The flush volume can be adjusted according to toilet performance
- Recommended operating pressure - Lowest 0.5 - Highest 10 Bar
- Adjustable depth - 120 to 200mm
- Water inlet - G1/2"
- Application - for wall hung toilets on straight or corner

masonry



Downloads

Water Efficiency

[EH - Sanfix 40333 40333CNT \(PDF\)](#) ,

BIM Files

[40333 BIM Archicad \(ZIP\)](#) , [40333 BIM Revit \(ZIP\)](#) ,

2D & 3D Files

[40333 CAD 2D \(ZIP\)](#) ,

Assembly Instructions

[40333 \(PDF\)](#) ,

Technical Drawings

[40333 DT \(PDF\)](#) ,

Installation Dimensions

[Cotas de Instalação Sanitas Suspensas \(PDF\)](#) ,

Components

[40333 Components \(PDF\)](#) ,

Quality, Environment and OSH

[Declaration of Performance - WC flushing cisterns \(PDF\)](#) ,

