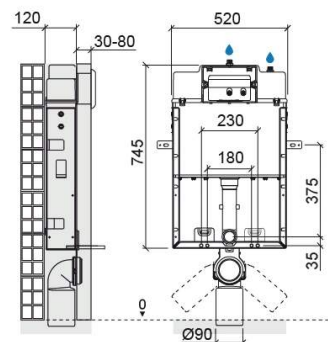


Sanflush support frame for wall hung toilet - White and Chrome

Ref. 40233 EAN Code. 5604815899993



Technical Information

Length: 460 mm

Width: 120 mm

Height: 745 mm

Weight: 9.49 kg

Collection: [Sanflush](#)

Product type: Installation and Flush Systems

Material: ABS; Steel

Installation type: Concealed

Features

- With 4 wall fixing points
- With double sound insulation and anti-condensation
- With anti-corrosion coating
- Equipped with pre-set dual flush mechanism at 3/6Lpf
- Front wall thickness - 30 to 80mm
- Easy access to the inside for maintenance
- Fixing kit for mounting the support frame on the wall and fixing kit for mounting the toilet on the support frame included
- Operating mode - mechanic activation
- Supported static weight - 400kg
- Water inlet position - top right or top centre
- Flush position - front
- The flush volume can be adjusted between 2.5/4.5Lpf and 4.5/9Lpf according to toilet performance
- Recommended operating pressure - Lowest 0.5 - Highest 10 Bar
- Depth not adjustable
- Water inlet - G1/2"
- Application - for wall hung toilets, built-in and fixed to masonry walls

Downloads

Cleaning Manuals

Cleaning Manual (PDF) ,

Water Efficiency

EH - Sanflush 40233 (PDF) ,

2D & 3D Files

40233 CAD 2D (ZIP) ,

Assembly Instructions

40233 (PDF) ,

Technical Drawings

40233 DT (PDF) ,

Installation Dimensions

Cotas de Instalação Sanitas Suspensas (PDF) ,

Components

40233 (PDF) ,

Quality, Environment and OSH

Declaration of Performance - WC flushing cisterns (PDF) ,

