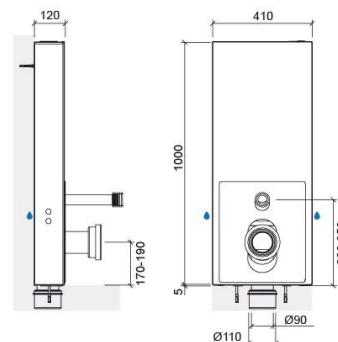


Sanglass WC unit for low level toilet - White and Chrome

Ref. 4183310 EAN Code. 5604815909890



Technical Information

Length: 410 mm

Width: 120 mm

Height: 1000 mm

Weight: 23 kg

Collection: [Sanglass](#)

Product type: Installation and Flush Systems

Material: Aluminium; 6mm tempered glass

Installation type: Exterior

Features

- Flush activation - upper
- Application - for low level toilets on straight masonry walls
- With 4 fixing points - 2 to the floor and 2 to the wall
- With double sound insulation and anti-condensation
- With anti-corrosion coating
- Equipped with dual flush mechanism pre-adjusted to 3/6Lpf
- Easy access to the inside for maintenance
- Wall and floor fixing kit included
- Water connection - at the back, right or left
- Water inlet position - bottom left
- The flush volume can be adjusted between 2.5/3Lpf and 4.5/6Lpf according to toilet performance
- Recommended operating pressure - Lowest 0.2 - Highest 16 Bar
- 6L filling time at 3 Bar - 39s
- Water inlet - G1/2"
- Mechanically operated flush valve
- Silent and fast tap, resistant to water impurities and hardness

Variations



Matte Black and Chrome

410x120x1000 mm

Ref. 4183316

EAN Code. 5604815909906

Weight: 23 kg

Downloads

Cleaning Manuals

Cleaning Manual (PDF) ,

Water Efficiency

Sanglass / Sanglass Wall EH (PDF) ,

Assembly Instructions

41833 (PDF) ,

Technical Drawings

41833 DT (PDF) ,

Components

41833 Components (PDF) ,

Quality, Environment and OSH

Declaration of Performance - WC flushing cisterns (PDF) ,

