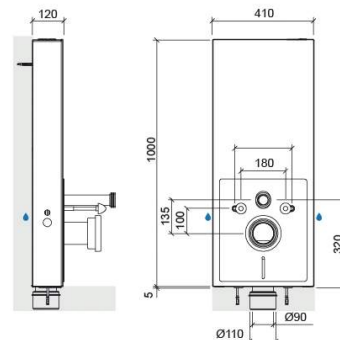


Sanglass WC unit for wall hung toilet - White and Chrome

Ref. 4173310 EAN Code. 5604815909876



Technical Information

Length: 410 mm

Width: 120 mm

Height: 1000 mm

Weight: 23 kg

Collection: [Sanglass Wall](#)

Product type: Installation and Flush Systems

Material: Aluminium; 6mm tempered glass

Installation type: Exterior

Features

- Flush activation - upper
- Application - for wall hung toilets on straight masonry walls
- With 4 fixing points - 2 to the floor and 2 to the wall
- With double sound insulation and anti-condensation
- With anti-corrosion coating
- Equipped with dual flush mechanism pre-adjusted to 3/6Lpf
- Fixing kit for mounting the support frame on the floor/wall and fixing kit for mounting the toilet on the support frame included
- Water connection - at the back, right or left
- Water inlet position - bottom left
- The flush volume can be adjusted between 2.5/3Lpf and 4.5/6Lpf according to toilet performance
- Recommended operating pressure - Lowest 0.2 - Highest 16 Bar
- 6L filling time at 3 Bar - 39s
- Water inlet - G1/2"

Variations



Matte Black and Chrome

410x120x1000 mm

Ref. 4173316

EAN Code. 5604815909883

Weight: 23 kg

Downloads

Cleaning Manuals

Cleaning Manual (PDF) ,

Water Efficiency

Sanglass / Sanglass Wall EH (PDF) ,

Assembly Instructions

41733 (PDF) ,

Technical Drawings

41733 DT (PDF) ,

Installation Dimensions

Cotas de Instalação Sanitas Suspensas (PDF) ,

Components

Sanglass Wall Components (PDF) ,

Quality, Environment and OSH

Declaration of Performance - WC flushing cisterns (PDF) ,

