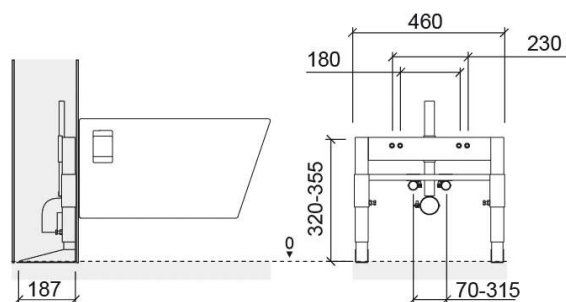


## Self-supporting frame for wall hung bidet - Blue and Chrome

Ref. 439 EAN Code. 5604815897456



### Technical Information

Length: 460 mm

Width: 187 mm

Height: 355 mm

Weight: 7.80 kg

Collection: [439](#)

Product type: Installation and Flush Systems

Material: Epoxy coated 2mm steel

Installation type: Concealed

### Features

- Application - for wall hung bidets on straight lightweight or mixed walls
- With 4 floor fixing points
- With anti-corrosion coating
- Fixing kit for mounting the support frame on the floor/wall and fixing kit for mounting the bidet on the support frame included
- Support legs with adjustable height - 0 to 225mm
- Supported static weight - 400kg
- The distance between water inlets and the height can be adjusted
- Depth not adjustable
- Flush elbow with adjustable position

## Downloads

### Assembly Instructions

Wall Hung Bidet 430 439 (PDF) ,

### Technical Drawings

439 DT (PDF) ,

### Installation Dimensions

Cotas de Instalacao Bides Suspensos (PDF) ,

