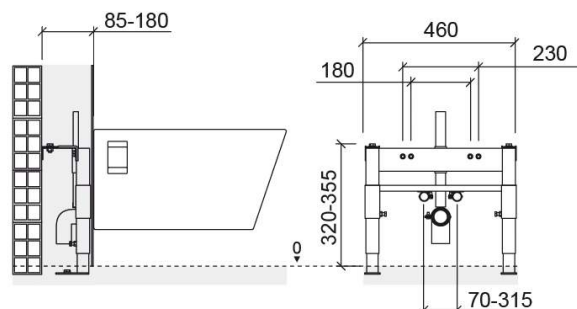


Support frame for wall hung bidet - Blue and Chrome

Ref. 430 EAN Code. 5604815803464



Technical Information

Length: 460 mm

Width: 180 mm

Height: 355 mm

Weight: 5.95 kg

Collection: [430](#)

Product type: Installation and Flush Systems

Material: Epoxy coated 2mm steel

Installation type: Concealed

Features

- With 4 fixing points - 2 to the floor and 2 to the wall
- With anti-corrosion coating
- Fixing kit for mounting the support frame on the floor/wall and fixing kit for mounting the bidet on the support frame included
- Support legs with adjustable height - 0 to 225mm
- Supported static weight - 400kg
- The distance between water inlets and the height can be adjusted
- Adjustable depth - 120 to 180mm
- Application - for wall hung bidets on straight masonry

Downloads

BIM Files

[430 BIM Archicad \(ZIP\)](#) , [430 BIM Revit \(ZIP\)](#) ,

2D & 3D Files

[430 CAD 2D \(ZIP\)](#) , [430 CAD 3D \(ZIP\)](#) ,

Assembly Instructions

[Wall Hung Bidet 430 439 \(PDF\)](#) ,

Technical Drawings

[430 DT \(PDF\)](#) ,

Installation Dimensions

[Cotas de Instalacao Bides Suspensos \(PDF\)](#) ,

