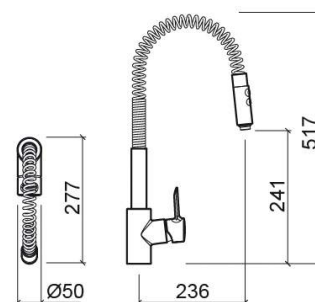


Torus kitchen mixer with EcoSpot, pull-out spray and spring neck - Chrome

Ref. 537410111

EAN Code. 5604815607710



Description

Equipped with a cartridge that allows the opening of the in handle two positions: half opening and full opening.

Technical Information

Length: 277 mm

Width: 50 mm

Height: 517 mm

Weight: 4.25 kg

Collection: Torus

Product type: Kitchen taps

Material: Brass

Features

- Flow rate at 3 Bar - 9L/min
- With swivel spout
- With pull-out spray
- With EcoSpot system
- Fixing kit included
- Kitchen tap hole Ø35mm

Downloads

Cleaning Manuals

[Cleaning Manual \(PDF\)](#) ,

2D & 3D Files

[5374101 CAD 2D \(ZIP\)](#) , [5374101 CAD 3D \(ZIP\)](#) ,

Technical Drawings

[5374101 DT \(PDF\)](#) ,