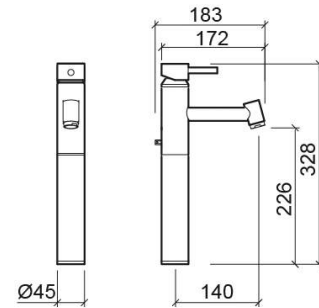


## Tube tall basin mixer with waste - Chrome

Ref. 531430011

EAN Code. 5604815606539



## Technical Information

Length: 183 mm

Width: 45 mm

Height: 328 mm

Weight: 3.73 kg

Collection: Tube

Product type: Taps

Style: Contemporary

Material: Brass

Installation type: Basin shelf

## Features

- Flow rate at 3 Bar - 15L/min
- Fixing kit included
- Hot & cold flexible connectors included
- Single lever mixer
- Automatic outlet valve included

## Downloads

### Cleaning Manuals

[Cleaning Manual \(PDF\)](#) ,

### 2D & 3D Files

[5314300 CAD 2D \(ZIP\)](#) , [5314300 CAD 3D \(ZIP\)](#) ,

### Assembly Instructions

[Long Basin Taps \(PDF\)](#) ,

### Technical Drawings

[5314300 DT \(PDF\)](#) ,

