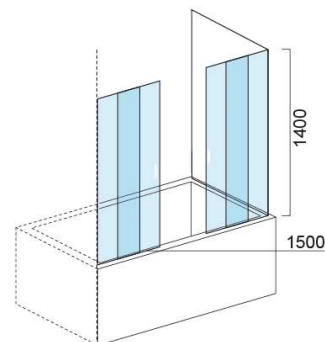


Versus enclosure, front - Transparent and White

Ref. 8935050000

EAN Code. 5604815440188



Description

Versus 190cm bath screen

Technical Information

Length: 1520 mm

Width: 25 mm

Height: 1400 mm

Weight: 30.6 kg

Collection: Versus

Product type: Shower enclosures

Style: Contemporary

Product Format: Rectangular

Material: Aluminium; 4mm tempered glass

Installation type: Bath enclosure

Features

- With 2 sliding doors with central opening and magnetic closure
- With adjustable profiles - 0 to 20mm
- Fixing kit included
- Silicone seals included
- Application - alcove fitting or with 1 or 2 side panels

Variations



Transparent and White
1620x25x1400 mm

Ref. 8935250000
EAN Code. 5604815440201
Weight: 31.84 kg



Transparent and White
1720x25x1400 mm

Ref. 8935350000
EAN Code. 5604815440225
Weight: 32.9 kg



Transparent and White
1770x25x1400 mm

Ref. 8935450000
EAN Code. 5604815440249
Weight: 33.7 kg



Transparent and White
1820x25x1400 mm

Ref. 8935550000
EAN Code. 5604815440263
Weight: 34.2 kg



Transparent and White
1920x25x1400 mm

Ref. 8935650000
EAN Code. 5604815440287
Weight: 35.6 kg



Transparent and Chrome
1520x25x1400 mm

Ref. 8935050011
EAN Code. 5604815440195
Weight: 30.6 kg



Transparent and Chrome
1620x25x1400 mm

Ref. 8935250011
EAN Code. 5604815440218
Weight: 31.84 kg



Transparent and Chrome
1720x25x1400 mm

Ref. 8935350011
EAN Code. 5604815440232
Weight: 32.9 kg



Transparent and Chrome
1770x25x1400 mm

Ref. 8935450011
EAN Code. 5604815440256
Weight: 33.7 kg



Transparent and Chrome
1820x25x1400 mm

Ref. 8935550011
EAN Code. 5604815440270
Weight: 34.2 kg



Transparent and Chrome
1920x25x1400 mm

Ref. 8935650011
EAN Code. 5604815440294
Weight: 35.6 kg

Downloads

Videos

Divisória Versus - Instalação (JPG) , Versus shower screen (JPG) ,

Cleaning Manuals

Cleaning Manual (PDF) ,



2D & 3D Files

8935050 CAD 2D (ZIP) , 8935250 CAD 2D (ZIP) , 8935350 CAD 2D (ZIP) , 8935450 CAD 2D (ZIP) , 8935550 CAD 2D (ZIP) ,
8935650 CAD 2D (ZIP) , 89350500 CAD 3D (ZIP) , 89352500 CAD 3D (ZIP) , 89353500 CAD 3D (ZIP) , 89354500 CAD 3D (ZIP) ,
89355500 CAD 3D (ZIP) , 89356500 CAD 3D (ZIP) ,

Assembly Instructions

Divisorias Versus 1 Painei Fixo (PDF) , Divisorias Versos 2 Painéis Fixos (PDF) , Divisorias Versus Encastrar (PDF) ,

Technical Drawings

89352500 DT (PDF) , 89353500 DT (PDF) , 89354500 DT (PDF) , 89355500 DT (PDF) , 89356500 DT (PDF) ,

