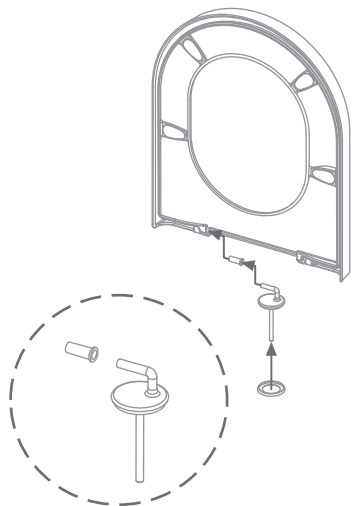


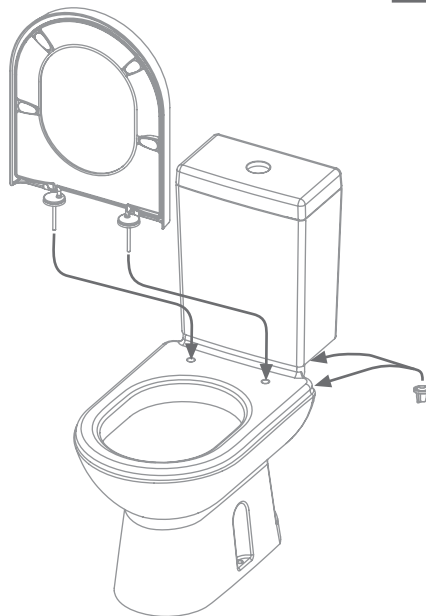
## INSTRUÇÃO DE MONTAGEM ASSEMBLY INSTRUCTIONS

01



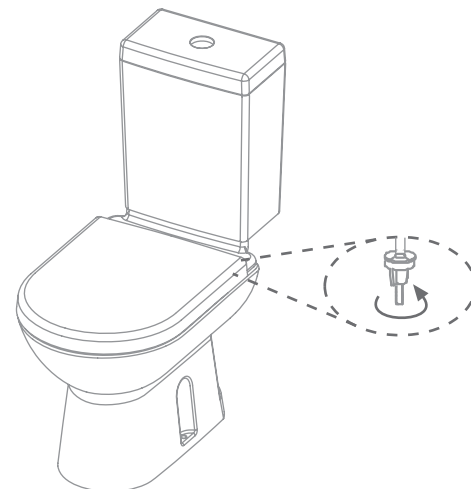
**Colocar as peças na ordem correcta.**  
Place the parts in its position service.

02



**Colocar o tampo e ajustá-lo à sanita.**  
Place the toilet seat and adjust it to the wc.

03



**Fixar o tampo à sanita.**  
Tighten the toilet seat to the wc