

SANSEAL

INSTALLATION GUIDE

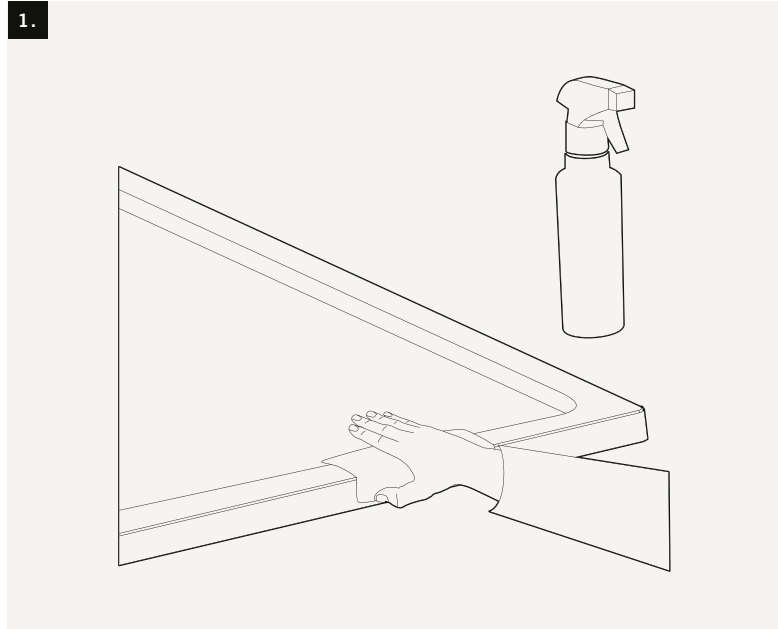
THE PATH OF WATER

SANINDUSA

INSTALLATION GUIDE

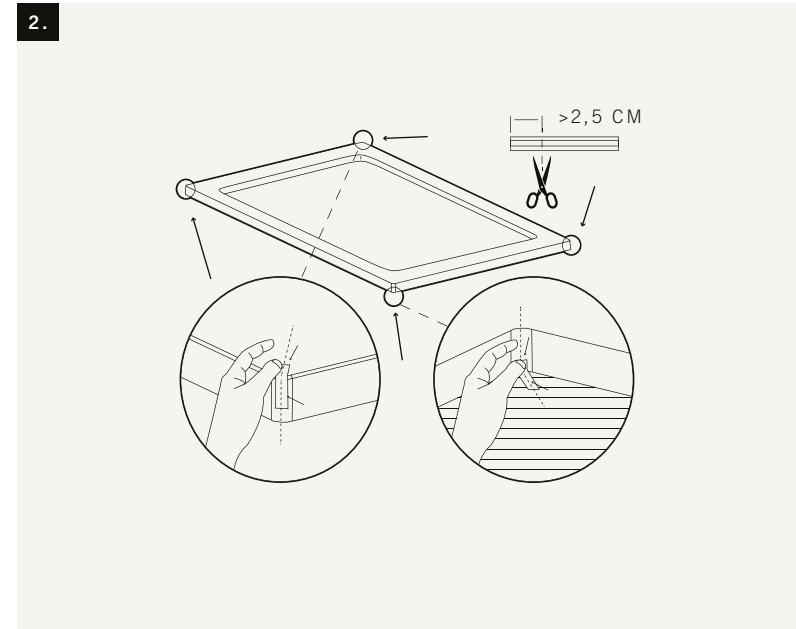
CLEANING

Rub the edge of the shower tray or bathtub base using a cloth and a suitable cleaning product. Allow the surface to dry for a few minutes.



CORNER PREPARATION

Use the reinforcement adhesives provided. Cut and place one adhesive in each corner, as shown below. Press the protective backing paper using the applicator (see contents).

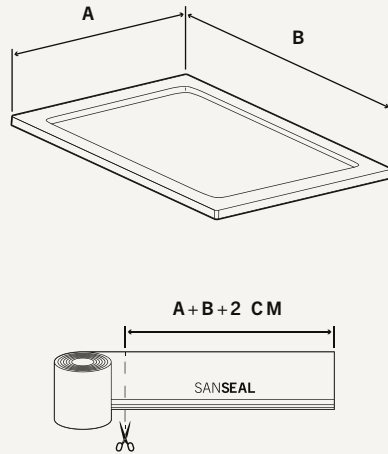


WALL SIDES

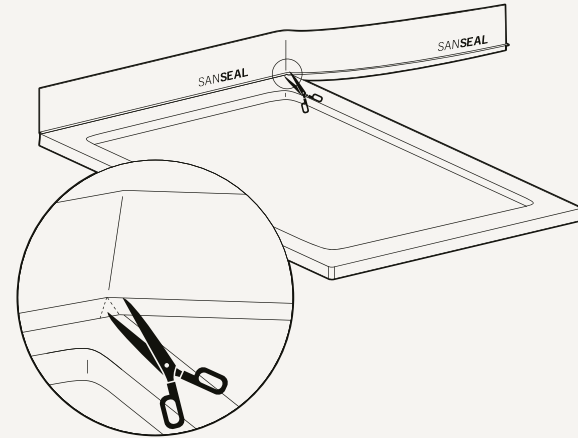
Install the tape firstly on the wall sides. Place **SanSeal** continuously, using a single strip to form the waterproof barrier on the walls. Cut the strip to the intended length plus 2-3 cm.

SanSeal is an adhesive butyl tape with 2 edges, one wider than the other, and protective backing paper. Remove approximately 20 cm of the backing paper from the wider edge and press the tape onto the wall, starting from the corner. The narrow edge, with the backing paper, should face the top edge of the shower tray or bathtub base.

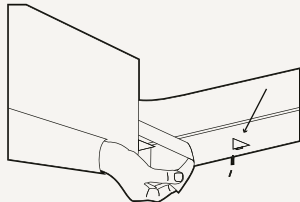
3. MEASURE



5.

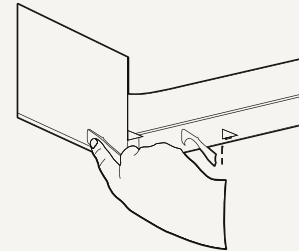


4.



4

6.



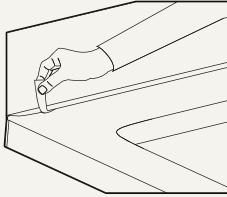
5

WALL SIDES

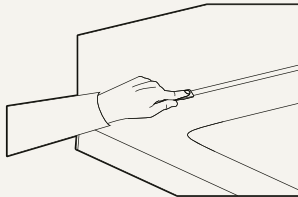
Continue removing the backing paper and installing the tape, in a straight line. Before placing the butyl tape in the corner, pinch it to make a small fold, of less than 1 cm, and place the fold over the corner reinforcement, such as to allow for proper adjustment to the wall corner. Make a small cut on the narrow edge to fold the tape more easily.

Start removing the backing paper from the narrow edge and press the tape onto the top edge of the shower tray or bathtub base. Once the whole strip has been installed, press firmly along the length, using the applicator.

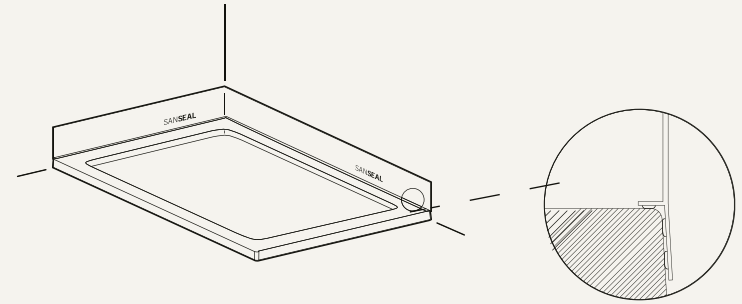
7.



8.



9.

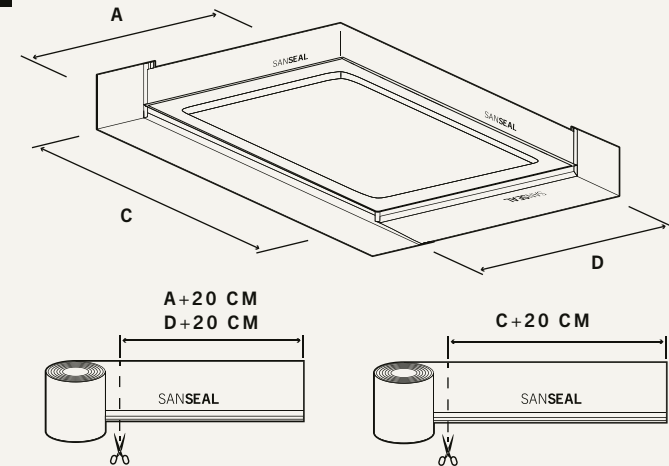


CORNERS

To install the waterproof tape on the floor and horizontally, cut a strip of the **SanSeal** tape for each side. The tape should go up and be joined to the strip installed on the wall.

If the tape is installed on 3 sides - **A/C/D - A+20cm, C+20cm, D+20cm**

10.

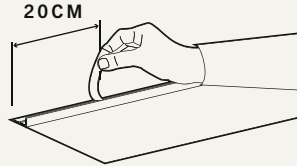


CORNERS

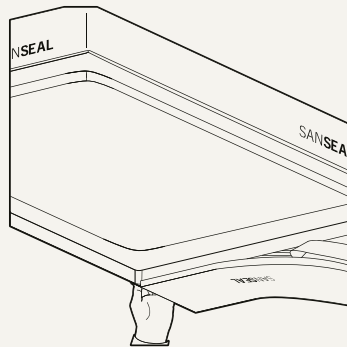
Remove approximately 20 cm of the backing paper from the wider edge and start pressing the tape onto the floor, starting from the corner. The narrow edge, with the backing paper, should face the side of the shower tray or bathtub base.

Continue removing the backing paper and installing the tape, in a straight line. Make a small cut on the narrow edge before bending the tape to go up. Install the tape on the floor on the other side.

11.



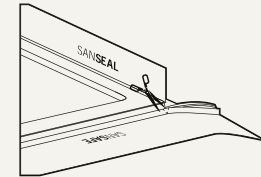
12.



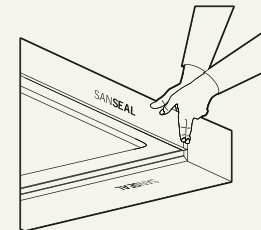
CORNERS

Start removing the backing paper from the narrow edge and press it onto the side of the shower tray or bathtub base. Once the whole strip has been installed, press firmly along the length, using the applicator.

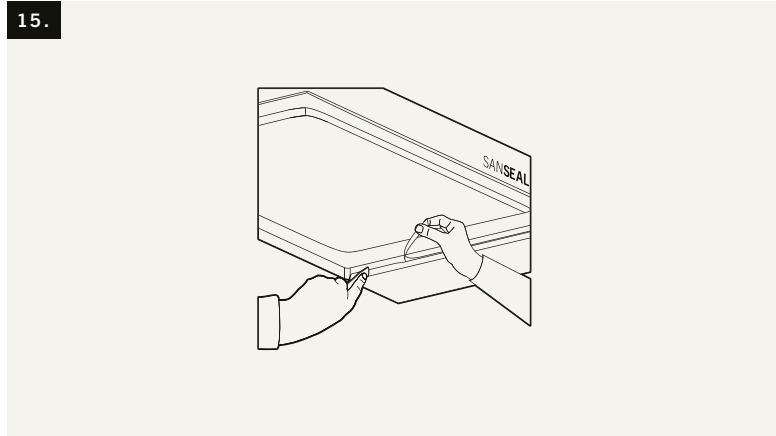
13.



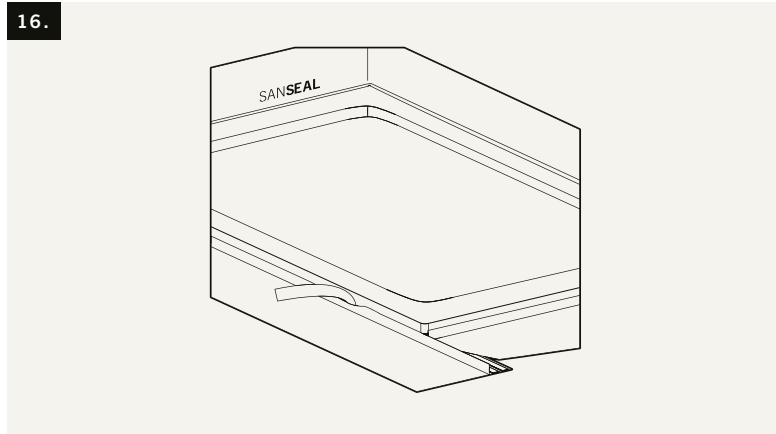
14.



15.



16.

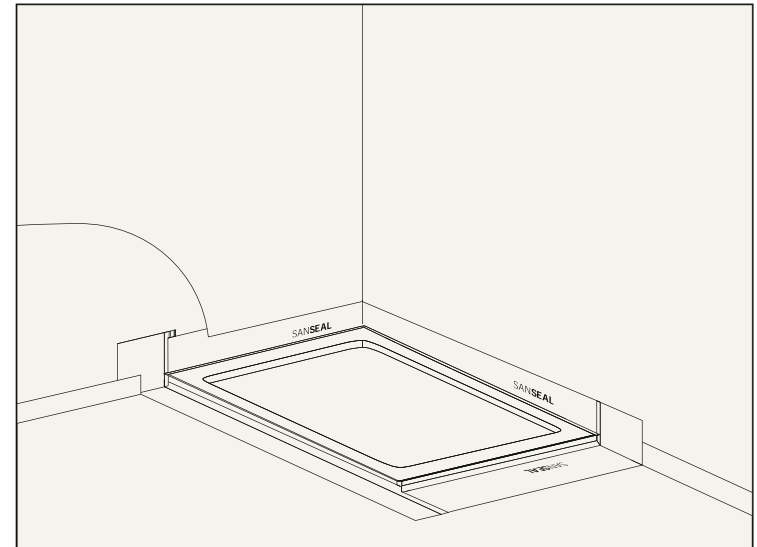


FINISHING

Once the shower tray or bathtub base has been installed in the final position, glue the **SanSeal** tape to the walls and floor using C2 tile adhesive.

Install wall and floor waterproofing, if applicable, over the **SanSeal** tape.

Glue the floor or wall tiles over the **SanSeal** tape using C2 tile adhesive.





SANINDUSA

THE PATH OF WATER

Z.I. Aveiro Sul . P.O.Box 43
3811-901 Aveiro, Portugal
+351 234 940 250

(LANDLINE)

sanindusa.pt . sanindusa@sanindusa.pt



www.viriato.com.pt
10-2023

