



# SANSIMPLE

FIXING FRAME FOR  
WALL HUNG TOILET

THE PATH OF WATER

**SANINDUSA**

# GENERAL CHARACTERISTICS

CODE	DESCRIPTION
4493311	SanSimple fixing frame with PL01 chrome dual flush Plate for wall hung toilet.



## FIXING FRAME FOR WALL HUNG TOILET

Metal  
Galvanised  
Resistant to corrosion

## CISTERN / WATER TANK

3/6 dual flush cistern compatible with dual flush plate.  
Adjustable flush volumes.  
Depth of 80 mm.  
Mechanical operation.  
Operating pressure: 0.1-16 bar.  
Resistance against relative humidity (RH < 90%).  
Polypropylene (PP) cistern, highly resistant to thermal stress.  
Other versions compliant with the DIN/BELGAQUA standards.  
Class CL1 according to the EN 14055 standard.  
Class 1 NF certified quiet fill valve. Provided with anti-condensation coating.

# GENERAL CHARACTERISTICS

## COMPATIBLE PLATES

4620XX

PL01 Plate for dual flush concealed cistern.



Dual flush cistern, which allows for water savings and helps protect the environment.

Front operation.

Easy to install.

Mechanical operation.

Small operating pressure, for ease of use by children, persons with reduced mobility and the elderly.

Made of ABS.



## OPTIONS

### Narrow Plate

11 – Chrome

10 – White

26 – Matte Black



## INSTALLATION

All wall types

## APPLICATIONS

Ideal for new buildings or renovated buildings with lightweight walls

## OPERATION

Mechanical flushing mechanism

## OPERATING PRESSURE

Min. 0.20 bar

Max. 16 bar

## FILLING TIME

39 sec (6 l. at 3 bar)

# GENERAL CHARACTERISTICS

## PACKAGE

	Individual box with identification
	1 Flush pipe $\varnothing$ 90 x 360 1 Seal for flush pipe $\varnothing$ 125 1 Connection pipe $\varnothing$ 45 x 180 1 Sleeve $\varnothing$ 45 1 Protective casing 1 G 1/2" angle valve
Accessories	1 Protective foam pad for angle valve 1 Flush pipe $\varnothing$ 56 x 165 1 Flush pipe elbow $\varnothing$ 90 / 90 L230 1 Adapter $\varnothing$ 90/110 1 Protective tube $\varnothing$ 90 1 Protective tube $\varnothing$ 45
Floor mounting	4 M8x60 galvanised screws 4 M8 DIN 9021 galvanised washers 4 M8 dowels for metal fixing frame
Cistern mounting	2 M12 threaded rods 2 Threaded sleeves 2 Protective covers 2 Plastic washers for toilet fixing 2 M12 nuts 2 Washers $\varnothing$ 34

## ADVICE FOR CORRECT INSTALLATION

A fiberglass or polypropylene mesh (included) should be applied between the cistern and the facing wall, such as to ensure better adhesion to the mortar.

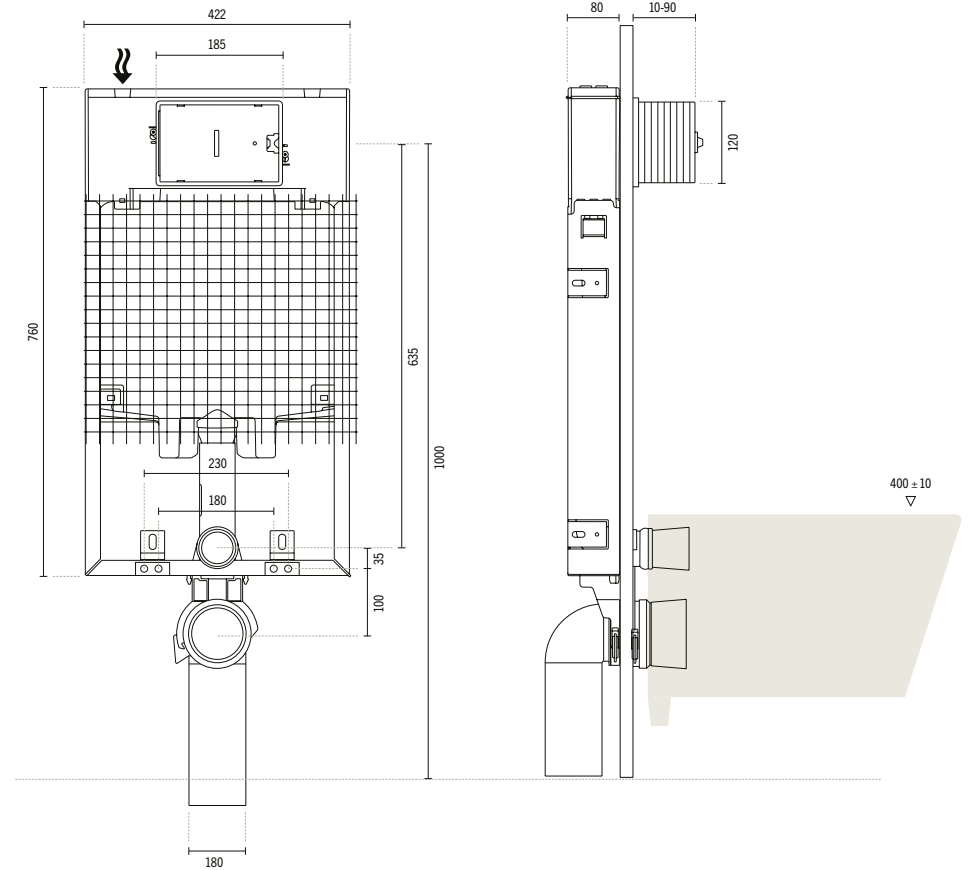
## SELLING POINTS

Dual flush system, which allows for water savings and helps protect the environment  
Easy access to the inside for maintenance  
Easy to install  
Universal  
Saves space  
Small size  
Small operating pressure, for ease of use by children, persons with reduced mobility and the elderly  
Certified according to the EC EN 14055 standards

## WARRANTY

Five (5) years from the date of purchase, in accordance with the general sales conditions. The warranty will not be valid if the product is not installed correctly.

# DIMENSIONS GÉNÉRALES



# COMPATIBLE PLATES

## CHARACTERISTICS AND GENERAL DIMENSIONS

CODE	DESCRIPTION
4620XX	PL01 Plate for dual flush concealed cistern

### OPTIONS

- 10– White
- 11– Chrome
- 26 – Matte Black



10.



11.



26.

Dual flush system, which allows for water savings and helps protect the environment.  
Front operation.  
Easy to install.  
Mechanical operation.  
Small operating pressure, for ease of use by children, persons with reduced mobility and the elderly.

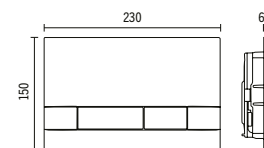
MATERIAL
ABS

### FIXATION KIT

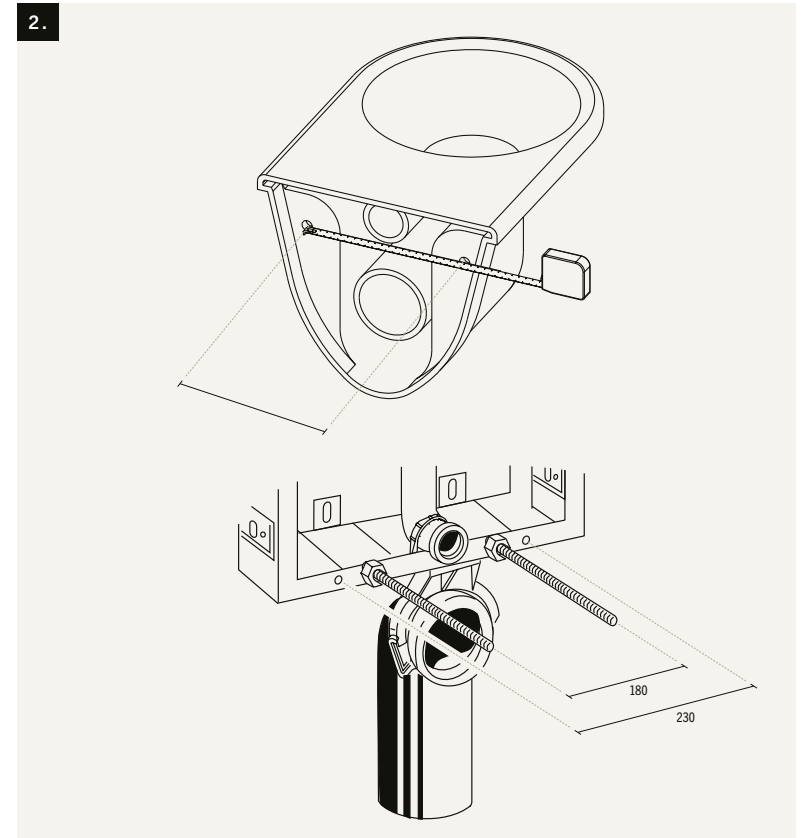
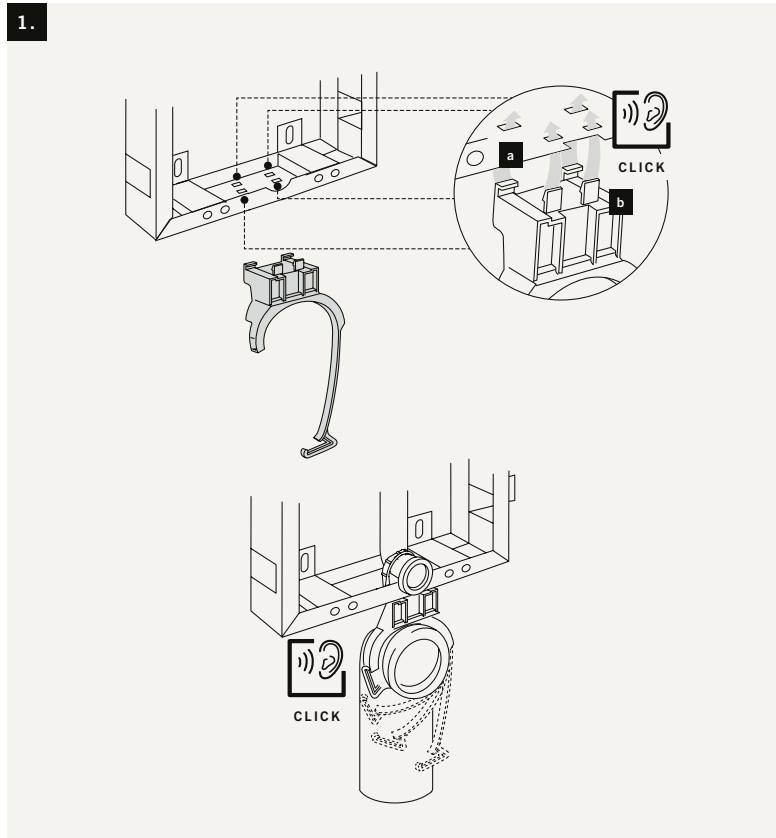
Included in the package

### INSTALLATION INSTRUCTIONS

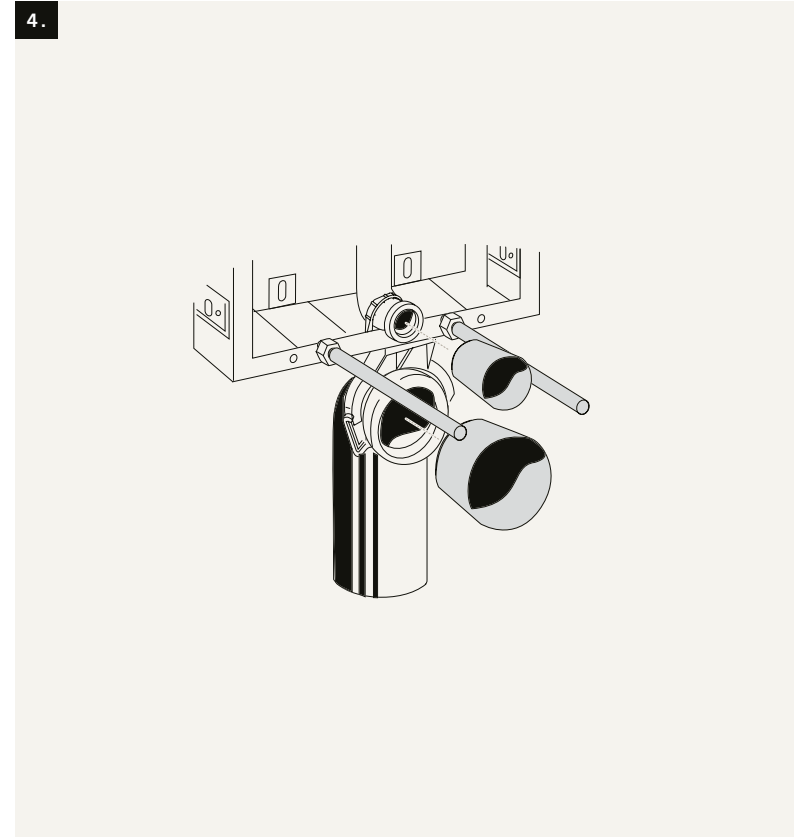
Included in the package, available online



# INSTALLATION INSTRUCTIONS

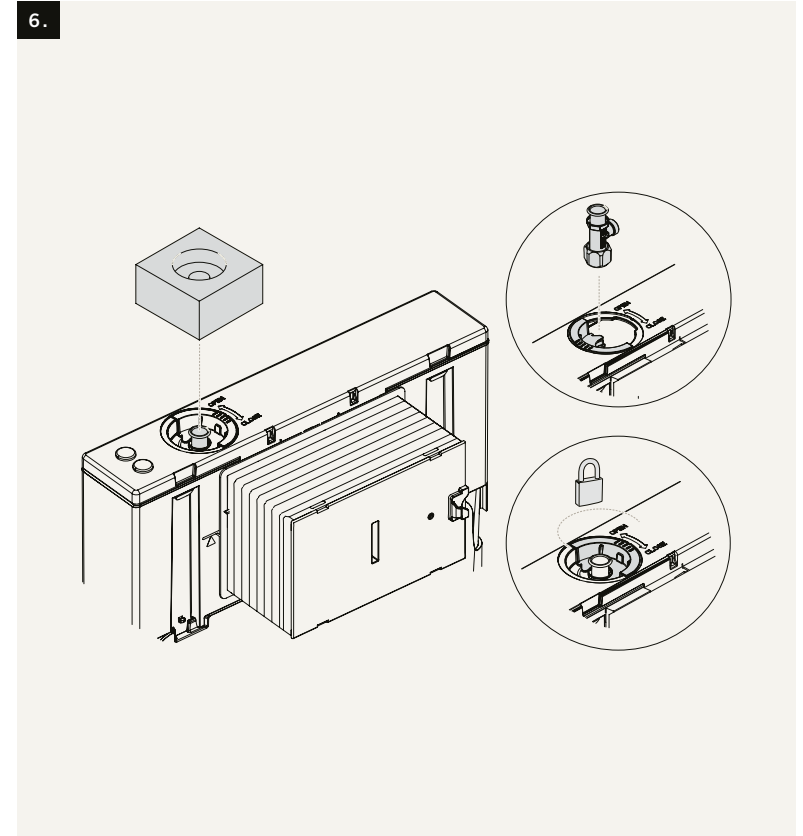
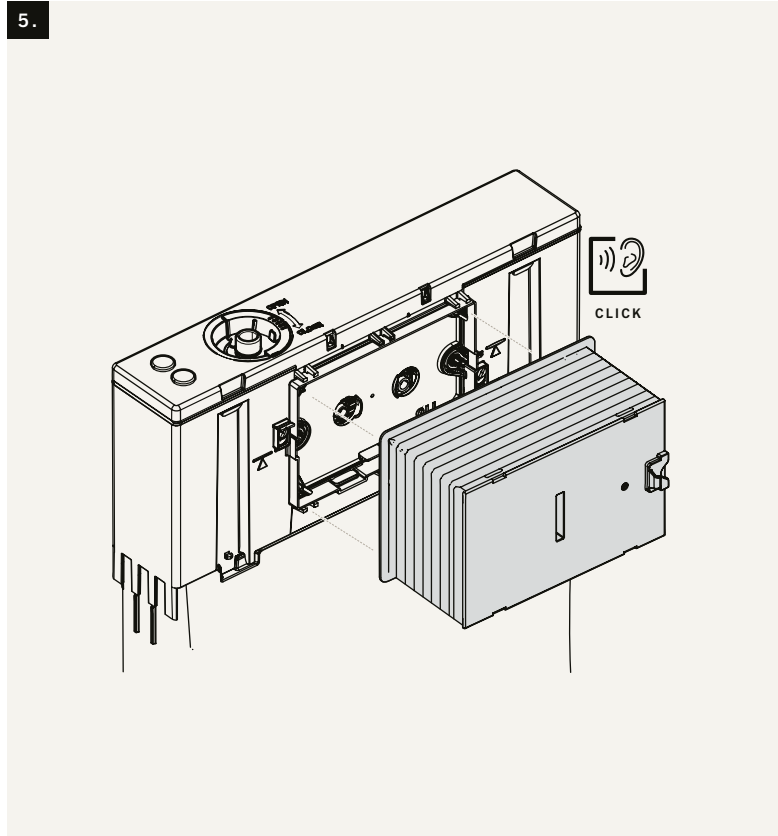


# INSTALLATION INSTRUCTIONS

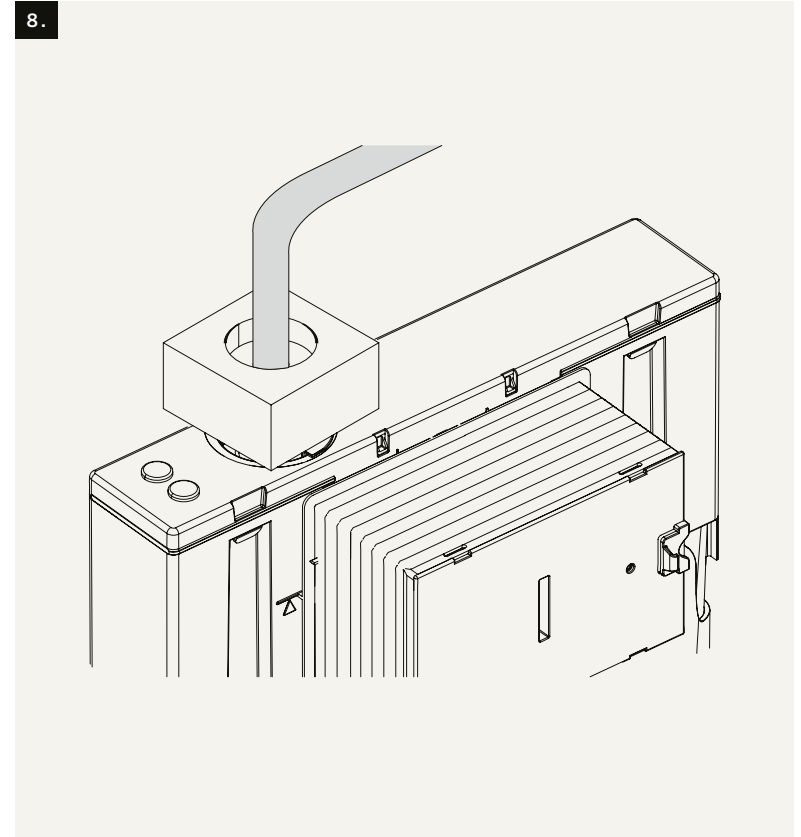
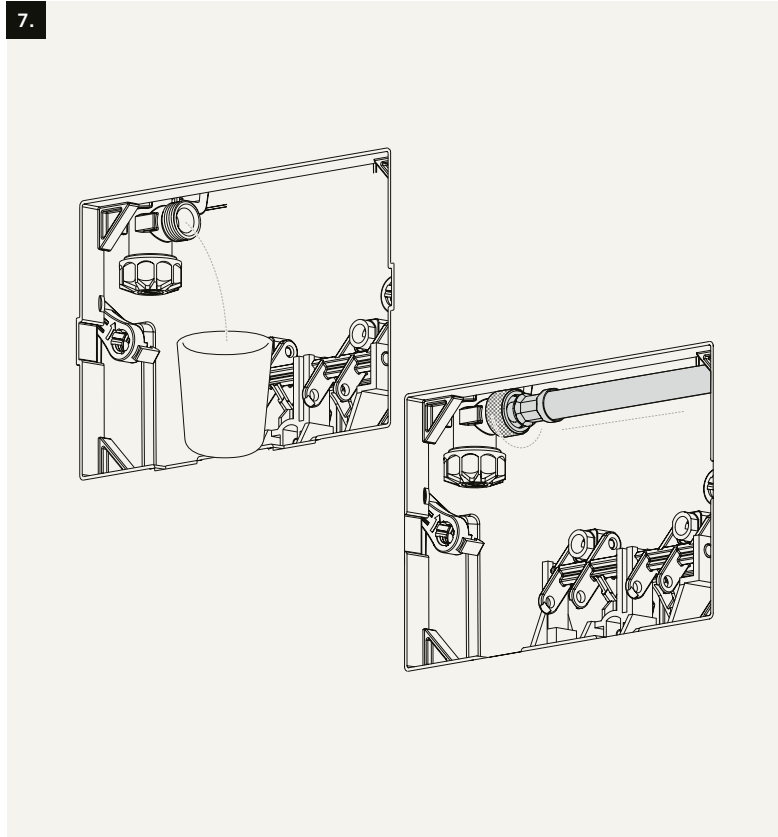




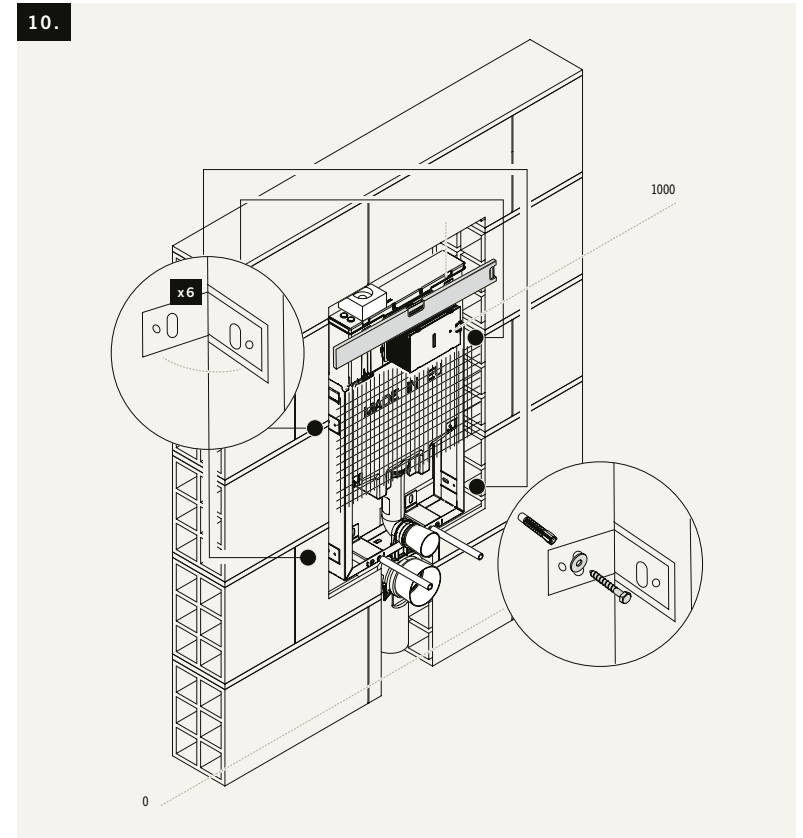
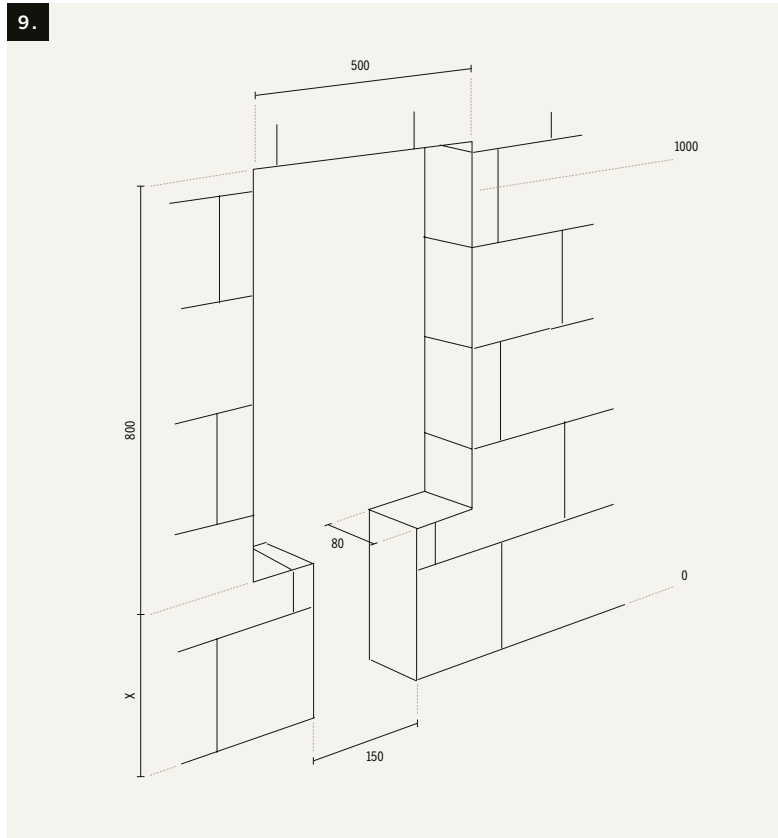
# INSTALLATION INSTRUCTIONS



# INSTALLATION INSTRUCTIONS

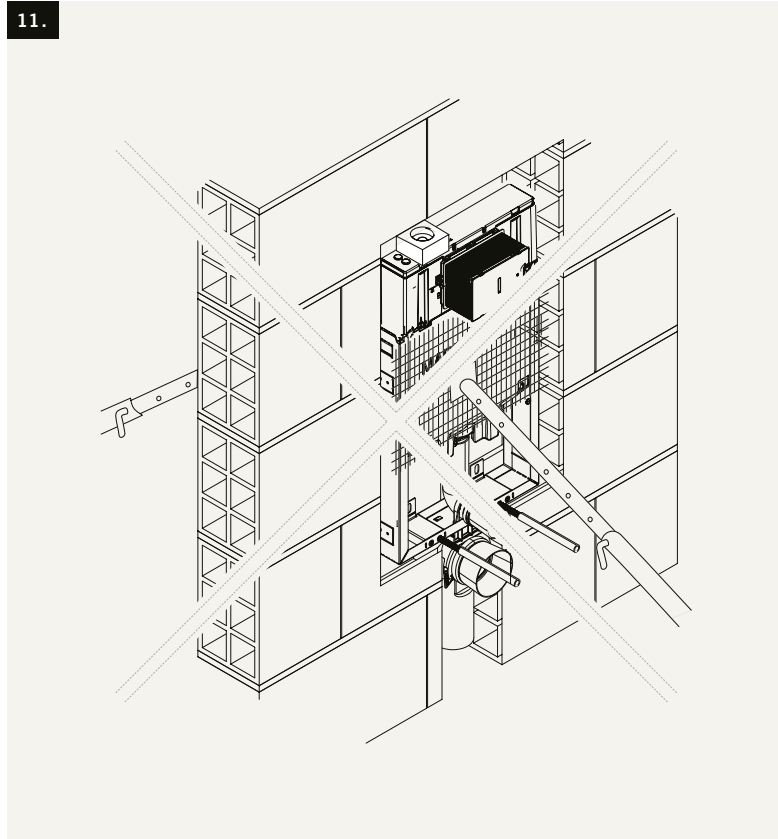


# INSTALLATION INSTRUCTIONS

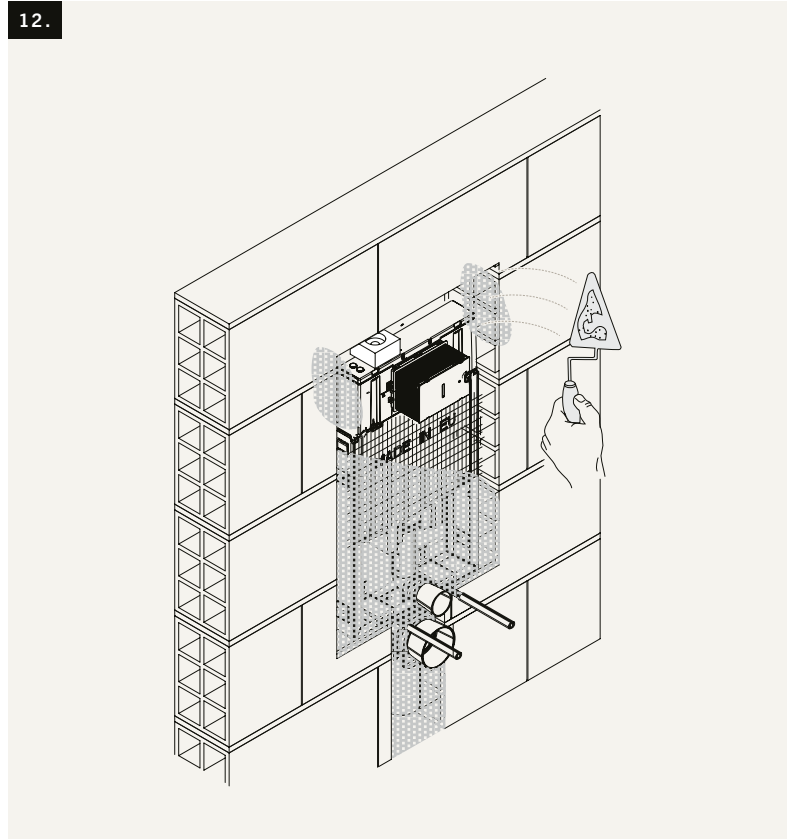


# INSTALLATION INSTRUCTIONS

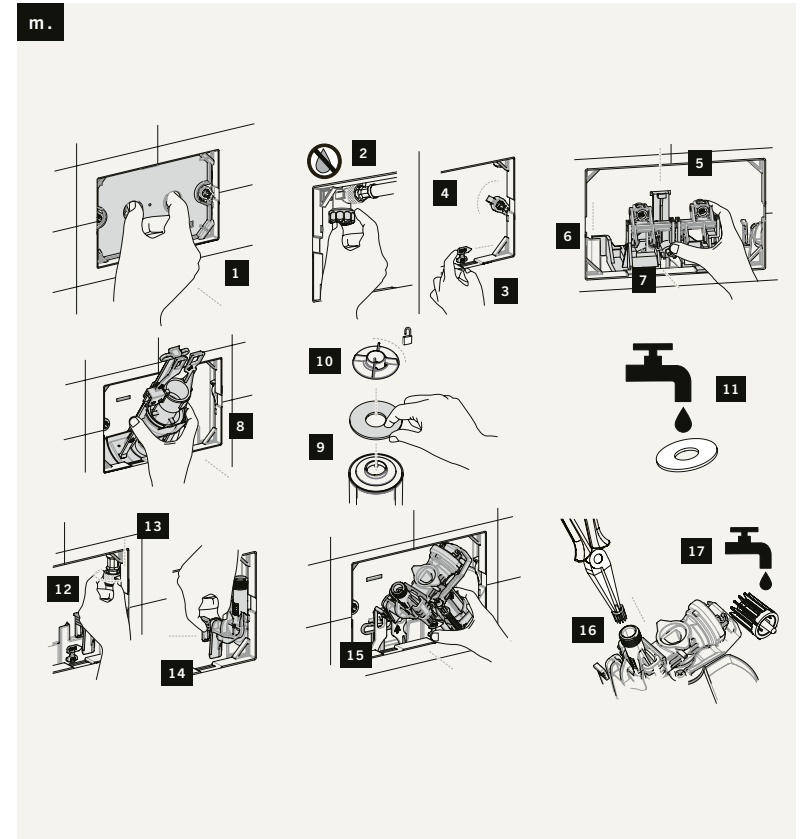
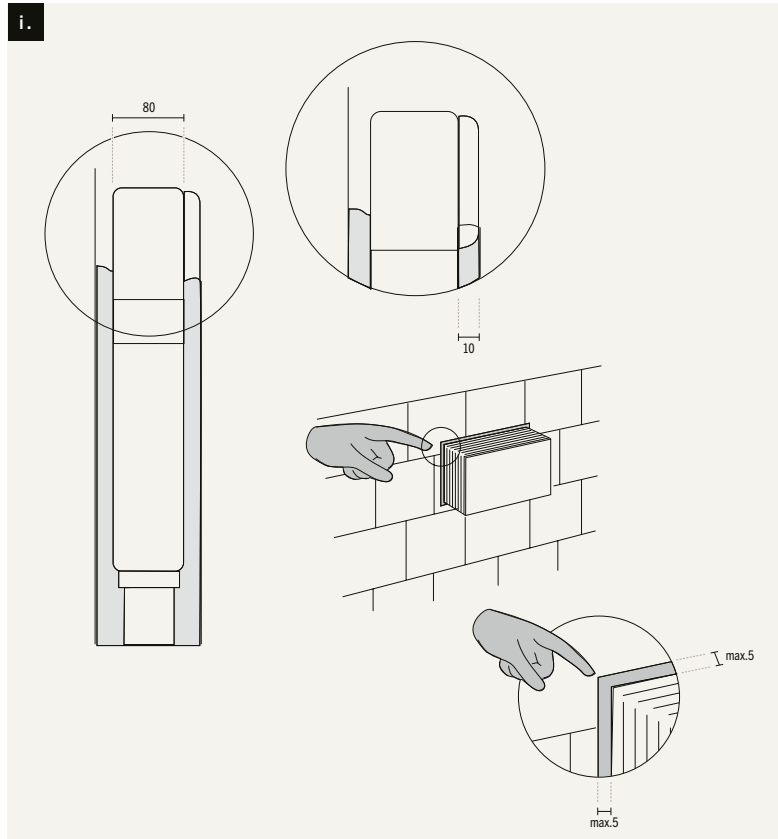
11.



12.



# INSTALLATION INSTRUCTIONS



# FLOOR MOUNTING BRACKETS





# SANINDUSA

THE PATH OF WATER

Z.I. Aveiro Sul . P.O.Box 43  
3811-901 Aveiro, Portugal  
+351 234 940 250

LANDLINE (PORTUGAL)

[sanindusa.pt](http://sanindusa.pt) . [sanindusa@sanindusa.pt](mailto:sanindusa@sanindusa.pt)



[www.viriato.com.pt](http://www.viriato.com.pt)  
10-2023



Financiado pela  
União Europeia  
NextGenerationEU