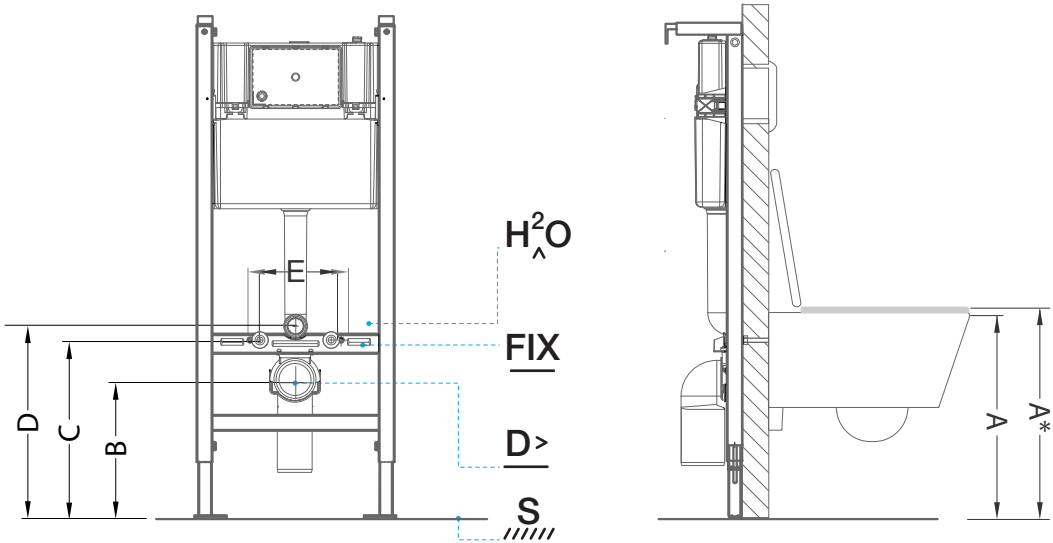


SANITA SOSPENSA
WALL HUNG WC
CUVETTE SUSPENDUE
INODORO SOSPENDIDO
VASO SOSPENSO



	A	B	C	D	E
CETUS 48	420	235	340	375	180
CETUS 48 <small>Rim flush</small>	420	224	340	362	178
CETUS 52	420	235	335	370	180
CETUS 52 <small>Rim flush</small>	420	225	330	360	180
JADE	420	260	360	395	230
MILLENNIUM	420	250	350	385	230
URB.Y 48	420	240	340	375	180
URB.Y 48 <small>Rim flush</small>	420	230	335	365	180
URB.Y 52	420	240	340	375	180
URB.Y 52 <small>Rim flush</small>	420	240	335	375	180
WICA	420	215	315	350	230
ADVANCE	420	239	339	374	180
LOOK	420	228	332	362	180
LOOK <small>Rim flush</small>	420	230	325	361	180
SANIBOLD	420	233	333	365	180
SANIBOLD <small>Rim flush</small>	420	222	327	360	180
SANLIFE <small>Rim flush</small>	420	240	339	375	180
SANPROJECT <small>Rim flush</small>	420	241	340	374	180
STATUS	420	235	333	383	180
AVEIRO 70	450*	270	370	405	180
NEW WCCARE	450*	202	302	337	230

FIX

PONTOS DE FIXAÇÃO
FIXING POINTS
POINTS DE FIXATION
PUNTOS DE FIJACIÓN
PUNTI DI FISSAGGIO

H²O

ENTRADA DE ÁGUA
WATER SUPPLY
ENTRÉE D'EAU
ENTRADA DE AGUA
ENTRATA D'ACQUA

D>

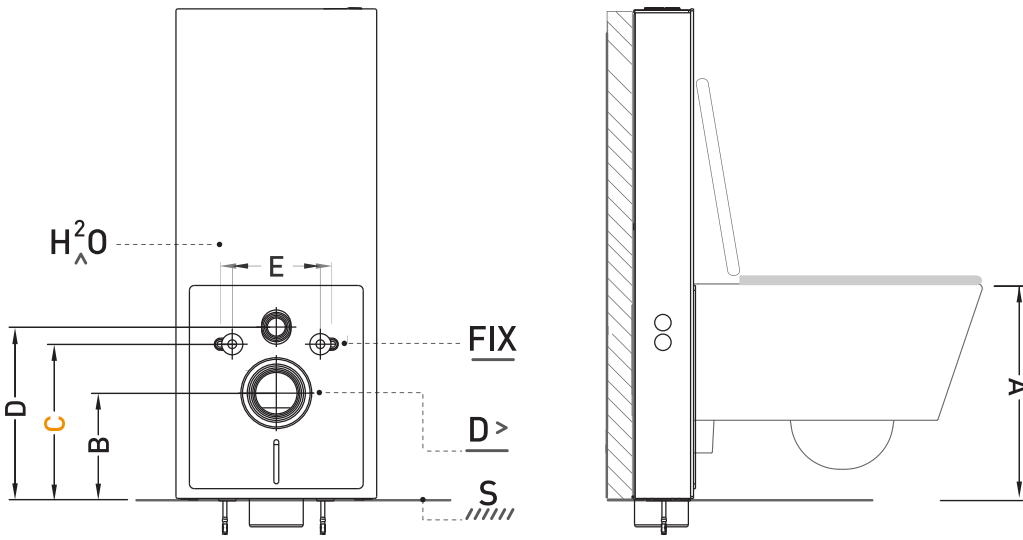
DESCARGA
FLUSH
CHASSE
DESCARGA
SCIACQUARE

S

SOLO
FINISH FLOOR
SOL FINI
SUELO
SUOLO

Sanglass^{wall}

ESTRUTURA | SOPORTE | MOUNTING FRAME | BÂTI SUPPORT



	A	B	C	D	E
--	---	---	---	---	---

cota mandatória

URB.Y 48	400	220	320	355	180
URB.Y 48 <small>Rimflush</small>	405	215	320	350	180
URB.Y 52	400	220	320	355	180
URB.Y 52 <small>Rimflush</small>	405	225	320	360	180
WICA	425	220	320	355	230
ADVANCE	400	219	320	355	180
LOOK	408	216	320	350	180
LOOK <small>Rimflush</small>	415	225	320	356	180
SANIBOLD	407	220	320	352	180
SANIBOLD <small>Rimflush</small>	413	215	320	353	180
SANLIFE <small>Rimflush</small>	400	220	320	355	180
SANPROJECT <small>Rimflush</small>	400	221	320	354	180
STATUS	407	222	320	370	180

SANITA SOSPENSA
 WALL HUNG WC
 CUVETTE SUSPENDUE
 INODORO SOSPENDDO
 VASO SOSPENSO

FIX

PONTOS DE FIXAÇÃO
 FIXING POINTS
 POINTS DE FIXATION
 PUNTOS DE FIJACIÓN
 PUNTI DI FISSAGGIO

H²O

ENTRADA DE ÁGUA
 WATER SUPPLY
 ENTRÉE D'EAU
 ENTRADA DE AGUA
 ENTRATA D'ACQUA

D >

DESCARGA
 FLUSH
 CHASSE
 DESCARGA
 SCIACQUARE

S

SOLO
 FINISH FLOOR
 SOL FINI
 SUELO
 SUOLO