



# TOILETS & BIDETS

CATALOG



THE PATH OF WATER

**SANINDUSA**





**CATALOG · TOILETS & BIDETS**





# 100% PORTUGUESE ROOTS

SINCE  1990

For more than **30 years Sanindusa** has been recognized for its high-quality **bathroom** and **kitchen** products.

From early on the main focus was on innovation and customer orientation through the transparency and precision encompassed in all their projects.

Sanindusa's group consists of 5 production units and has **100% Portuguese roots**. The company wants to take its brand image and soul to the four corners of the world.

Their **bold** and **innovative design** is the common denominator of their creations and **ecological concerns** which are combined into their range of products.

The constant investment in technology allowed the company to achieve a pioneering position which provides investment return and ensures the **present and future** continuity of the group since 1993.



# A PERFECT SYMBIOSIS OF COLOURS, MATERIALS AND SHAPES

## INNOVATION AND CONTRIBUTE FOR OUR UNIQUE CREATIONS

**Sanindusa** explores the endless world of **colours and textures** in search of unique, dynamic and bold designs. The textured elements give movement and combined with the golden, copper and rainbow tones, among others add a refreshing touch and personality to each piece.

The balanced application of different shades emits **energy, confidence, purity and many other emotions**. They are like subliminal messages that communicate and influence our state of mind. The colours and textures portray the constant search for **innovation and contribute for the company's unique creations**.



German Design Award  
German Design Council



Iconic Award  
German Design Council



reddot winner 2022

Red Dot Design Award  
Red Dot GmbH & Co. KG



Good Design Award  
Chicago Athenaeum Museum  
of Architecture and Design - USA



iF Design Awards 2016  
iF International Forum Design

## DESIGN PLUS

Design Plus Award  
German Design Council

Responsible for producing a distinctive and appealing visual language **Sanindusa's design** element has been present since its genesis. It comprises the whole creative process which expresses the vision of its creators and mirrors the company's positioning. It does not stop in the piece's aesthetic, instead it gathers the visual attributes with the functional ones, making interaction both as beautiful as practical and natural.

The pieces are conceived in a **perfect symbiosis of colours, materials and shapes** which allow a fluid interpretation of the elements and elevates the user experience.

By following their core elements the company has achieved ongoing **brand recognition, awards and return**.

# CONTINUITY OF FUTURE GENERATIONS

**Sanindusa** produces **sustainable products** to benefit the environment and as a way to encourage good practices. With natural resources in mind the brand offers both a range of solutions that eliminates or reduces water consumption as well as presents concepts that include ecological features like **EcoSpot** and **Coldopen**.

Consciously building its products to minimize or reverse environmental impacts is a constant concern and one of the main pillars of **Sanindusa** to ensure the **continuity of future generations**.







# TECHNOLOGY COMES TO THE BATHROOM

Some of **Sanindusa's** products that previously performed basic functions are now equipped with smart devices capable of providing unique and comfortable experiences. This technological incorporation came with functionalities that provide **leisure** and **fun** to the time spent in front of the mirror or in the bath.



**CLOSE-COUPLED**

**BACK TO WALL**

SANLIFE	<b>013</b>
ADVANCE	<b>015</b>
SANIBOLD	<b>017</b>
URB.Y PLUS	<b>021</b>
URB.Y	<b>025</b>
LOOK	<b>027</b>
WINNER	<b>031</b>

**STANDARD**

VINTAGE	<b>033</b>
URB.Y	<b>037</b>
LOOK	<b>039</b>
WINNER	<b>043</b>
ALFA	<b>045</b>
EASY	<b>047</b>
AVEIRO	<b>049</b>

**WALL HUNG**

SANLIFE	<b>053</b>
WCA	<b>057</b>
ADVANCE	<b>059</b>
SANIBOLD	<b>061</b>
URB.Y	<b>065</b>
LOOK	<b>069</b>
WINNER	<b>069</b>
CETUS	<b>070</b>
AVEIRO	<b>071</b>

**LOW LEVEL**

SANLIFE	<b>075</b>
ADVANCE	<b>077</b>
VINTAGE	<b>077</b>
SANIBOLD	<b>081</b>
URB.Y PLUS	<b>083</b>
URB.Y	<b>083</b>
LOOK	<b>087</b>
WINNER	<b>087</b>
EASY	<b>088</b>
AVEIRO	<b>089</b>
CETUS BASIC	<b>089</b>

**CONFORT**

PROGET CONFORT	<b>091</b>
WINNER CONFORT	<b>093</b>
AVEIRO CONFORT	<b>095</b>

**SPARE PARTS**

SUPPORTS . CISTERNS	<b>096</b>
INSTALLATION DIMENSIONS	<b>104</b>
PLATES	<b>106</b>

# DUAL FLUSH SYSTEMS



**Dual flush systems** are great for **water savings**. Sanindusa's cisterns are equipped with **3/6L** or **4.5/3L** flush mechanisms. In practice, the user can choose the amount of water used in each flush, avoiding the unnecessary waste of this increasingly scarce resource. This is a rational and comfortable way to protect the environment.





**INNOVATION TOILETS**

Rimflush, an innovation that combines the best characteristics for better hygiene, increased efficiency and easy cleaning.

**BETTER HYGIENE AND WATER SAVING**

Our rimless toilets improve hygiene by using an ideal water distribution system that allows for powerful, splash-free cleaning of the inside. By eliminating the traditional rim, we provide easy access to hard-to-reach areas, ensuring better hygiene and increased flushing performance, thus reducing water consumption.

**HIGH-QUALITY PORCELAIN**

The glazed interior provides a smooth surface, easy to clean, allowing for better hygiene and preventing the spread of viruses and the growth of bacteria.



**Clean, elegant design**

---

**Efficient flush**

---

**Rimflush System**  
**Better hygiene, increased efficiency and easy to clean**

---



**TOILETS**  
CLOSE COUPLED



SANLIFE



## SANLIFE

### 1 136023

#### SANLIFE RIMFLUSH VO CLOSE COUPLED TOILET

380x655x410mm / 32.0Kg

Includes fixing kit and pan connector.  
Colours available upon request: matt white.

### 2 136024

#### SANLIFE RIMFLUSH HO CLOSE COUPLED TOILET

380x655x410mm / 32.0Kg

Includes fixing kit. Does not include pan connector MSKT1986.  
Colours available upon request: matt white.

### 3 136111LM

#### SANLIFE TOILET CISTERN

380x145x468mm / 14.0Kg

Includes opening on the back and 6/3L mechanism.  
Colours available upon request: matt white.

### 23661

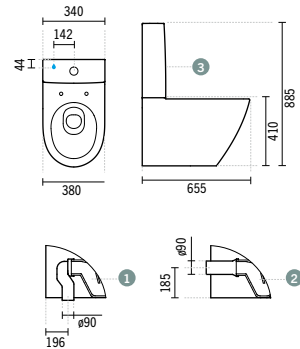
#### SANLIFE SLIM TOILET SEAT WITH CLIPOFF AND SLOWCLOSE

3.0Kg

Duroplast toilet seat with stainless steel hinges. With anti-bacterial protection.  
Colours available upon request: matt white.

### MSKT1986

#### Ø90 PAN CONNECTOR FOR HO TOILET



#### AVAILABLE COLOURS



White  
136023004  
136024004  
136111004LM  
2366100



Matt white  
136023604  
136024604  
136111604LM  
2366160

#### PACKS SANLIFE

**136923** 136023 + 136111LM + 23661 52,0 Kg

**136924** 136024 + 136111LM + 23661 52,0 Kg

#### SYMBOLS



Back to wall



Rimflush



Dual Flush  
6/3L



Slowclose



Clipoff



Anti-bacterial



**TOILETS**  
CLOSE COUPLED  
BACK TO WALL



ADVANCE



## ADVANCE

### 1 127023

#### ADVANCE VO CLOSE COUPLED TOILET

350x615x406mm / 37.1Kg

Includes fixing kit and pan connector.

### 2 127024

#### ADVANCE HO CLOSE COUPLED TOILET

350x615x406mm / 37.1Kg

Includes fixing kit. Does not include pan connector MSKT1986.

### 3 127111LM

#### ADVANCE TOILET CISTERN

365x155x448mm / 15.3Kg

Includes cover. Includes 6/3L mechanism.

### 3 127113LM

#### ADVANCE TOILET CISTERN WITH SIDE WATER INLET

365x155x448mm / 14.4Kg

Includes cover. Includes 6/3L mechanism.

### 22731

#### ADVANCE TOILET SEAT WITH SLOWCLOSE

2.3Kg

Duroplast toilet seat with stainless steel hinges. With anti-bacterial protection.

### 22711

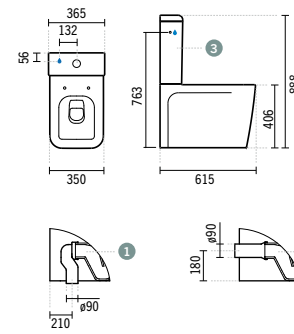
#### ADVANCE TOILET SEAT

2.3Kg

Duroplast toilet seat with stainless steel hinges. With anti-bacterial protection.

### MSKT1986

#### Ø90 PAN CONNECTOR FOR HO TOILET



#### SYMBOLS



Back to wall



Dual Flush  
6/3L



Slowclose



Anti-bacterial



**TOILETS**  
CLOSE COUPLED  
BACK TO WALL



SANIBOLD

# SANIBOLD

## 1 137023

### SANIBOLD RIMFLUSH VO CLOSE COUPLED TOILET

382x645x404mm / 34.60Kg

Includes fixing kit and pan connector.  
Colours available upon request: matt white.

## 2 137024

### SANIBOLD RIMFLUSH HO CLOSE COUPLED TOILET

382x645x404mm / 34.60Kg

Includes fixing kit. Does not include pan connector MSKT1986.  
Colours available upon request: matt white.

## 3 137111LM

### SANIBOLD TOILET CISTERN

382x140x420mm / 13.5Kg

Includes cover. Includes 6/3L mechanism.  
Colours available upon request: matt white.

## 3 137113LM

### SANIBOLD TOILET CISTERN WITH SIDE WATER INLET

382x140x420mm / 13.5Kg

Includes cover. Includes 6/3L mechanism.  
Colours available upon request: matt white.

## 23761

### SANIBOLD SLIM TOILET SEAT WITH EASYCLIP AND SLOWCLOSE

2.6Kg

Duroplast toilet seat with stainless steel hinges. With anti-bacterial protection.  
Colours available upon request: matt white.

## 23731

### SANIBOLD TOILET SEAT WITH CLIPOFF AND SLOWCLOSE

2.3Kg

Duroplast toilet seat with stainless steel hinges. With anti-bacterial protection.

## MSKT1986

### Ø90 PAN CONNECTOR FOR HO TOILET

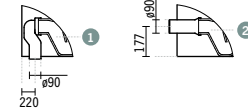
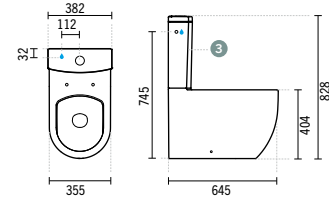
#### AVAILABLE COLOURS



White  
137023004  
137024004  
137111004LM  
137113004LM  
2376100



Matt white  
137023604  
137024604  
137111604LM  
137113604LM  
2376160



23731



23761



#### PACKS SANIBOLD

<b>137923</b>	137023 + 137111LM + 23761	52,0 Kg
<b>137925</b>	137023 + 137113LM + 23761	52,0 Kg
<b>137924</b>	137024 + 137111LM + 23761	52,0 Kg
<b>137924</b>	137024 + 137113LM + 23761	52,0 Kg

#### SYMBOLS



Back to wall



Rimflush



Dual Flush  
6/3L



Easyclip



Slowclose



Cliptoff



Anti-bacterial



**TOILETS**  
CLOSE COUPLED  
BACK TO WALL



URB.Y PLUS

**TOILETS**  
CLOSE COUPLED  
BACK TO WALL



URB.Y PLUS



**TOILETS**  
CLOSE COUPLED  
BACK TO WALL



## URB.Y PLUS

### 1 146021

#### 60 URB.Y PLUS VO CLOSE COUPLED TOILET

360x600x410mm / 30.8Kg  
Includes fixing kit and pan connector.

### 2 146022

#### 60 URB.Y PLUS HO CLOSE COUPLED TOILET

360x600x410mm / 30.8Kg  
Includes fixing kit. Does not include pan connector MSKT1986.

### 2 146024

#### 60 URB.Y PLUS HO CLOSE COUPLED TOILET WITH HOLE FOR WATER INLET

376x590x395mm / 35.2Kg  
Includes fixing kit. Does not include pan connector MSKT1986.

### 3 140171LM

#### 60 URB.Y TOILET CISTERN

379x155x433mm / 13.3Kg  
Includes cover. Includes 6/3L mechanism.

### 4 140173LM

#### 60 URB.Y TOILET CISTERN WITH SIDE WATER INLET

379x155x433mm / 13.3Kg  
Includes cover. Includes 6/3L mechanism.

### 24061

#### URB.Y SLIM TOILET SEAT WITH EASYCLIP AND SLOWCLOSE

2.8Kg  
Duroplast toilet seat with stainless steel hinges. With anti-bacterial protection.

### 24062

#### URB.Y SLIM TOILET SEAT WITH CLIPOFF AND SLOWCLOSE

2.8Kg  
Duroplast toilet seat with stainless steel hinges. With anti-bacterial protection.

### 24031

#### URB.Y TOILET SEAT WITH CLIPOFF AND SLOWCLOSE

2.4Kg  
Duroplast toilet seat with stainless steel hinges. With anti-bacterial protection.

### 24011

#### URB.Y TOILET SEAT WITH CLIPOFF

2.4Kg  
Duroplast toilet seat with stainless steel hinges. With anti-bacterial protection.

### MSKT1986

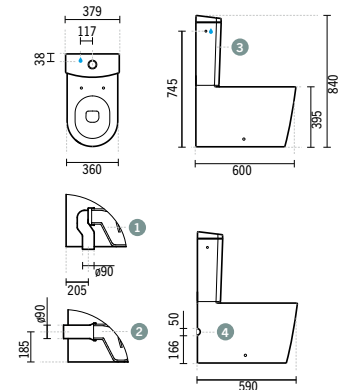
#### Ø90 PAN CONNECTOR FOR HO TOILET



24061 . 24062



24031 . 24011



#### PACKS URB.Y PLUS

146921	146021 + 140171LM + 24031	52,35 Kg
146922	146022 + 140171LM + 24031	52,35 Kg
146924	146022 + 140171LM + 24011	52,35 Kg

#### SYMBOLS



Back to wall



Dual Flush  
6/3L



Easyclip



Slowclose



Clipoff



Anti-bacterial



# TOILETS

CLOSE COUPLED  
BACK TO WALL







URB.Y



**TOILETS**  
CLOSE COUPLED  
BACK TO WALL



URB.Y

## URB.Y

### 1 14 005 1

#### 60 URB.Y RIMFLUSH VO CLOSE COUPLED TOILET

359x602x407mm / 31.1Kg

Includes fixing kit and pan connector.

Colours available upon request: matt white and matt black.

### 1 14 005 3

#### 60 URB.Y RIMFLUSH VO CLOSE COUPLED TOILET WITH HOLE FOR WATER INLET

360x606x395mm / 31.1Kg

Includes fixing kit and pan connector.

Colours available upon request: matt white and matt black.

### 2 14 005 2

#### URB.Y 60 RIMFLUSH HO CLOSE COUPLED TOILET

359x602x407mm / 31.1Kg

Includes fixing kit. Does not include pan connector MSKT1986.

Colours available upon request: matt white and matt black.

### 2 14 005 4

#### URB.Y 60 RIMFLUSH HO CLOSE COUPLED TOILET WITH HOLE FOR WATER INLET

60x606x395mm / 30.2Kg

Includes fixing kit. Does not include pan connector MSKT1986.

Colours available upon request: matt white and matt black.

### 3 14 017 1 LM

#### URB.Y 60 TOILET CISTERN

379x155x433mm / 13.3Kg

Includes cover. Includes 6/3L mechanism.

Colours available upon request: matt white and matt black.

### 3 14 017 3 LM

#### URB.Y 60 TOILET CISTERN WITH SIDE WATER INLET

379x155x433mm / 13.3Kg

Includes cover. Includes 6/3L mechanism.

Colours available upon request: matt white and matt black.

### 24 06 1

#### URB.Y SLIM TOILET SEAT WITH EASYCLIP AND SLOWCLOSE

2.8Kg

Duroplast toilet seat with stainless steel hinges. With anti-bacterial protection.

Colours available upon request: matt white and matt black.

### 24 06 2

#### URB.Y SLIM TOILET SEAT WITH CLIPOFF AND SLOWCLOSE

2.8Kg

Duroplast toilet seat with stainless steel hinges. With anti-bacterial protection.

Colours available upon request: matt white and matt black.

### 24 03 1

#### URB.Y TOILET SEAT WITH CLIPOFF AND SLOWCLOSE

2.4Kg

Duroplast toilet seat with stainless steel hinges. With anti-bacterial protection.

### 24 01 1

#### URB.Y TOILET SEAT WITH CLIPOFF

2.4Kg

Duroplast toilet seat with stainless steel hinges. With anti-bacterial protection.

### MSKT1986

#### Ø90 PAN CONNECTOR FOR HO TOILET



#### AVAILABLE COLOURS



White  
140051004  
140053004  
140052004  
140054004  
140171004LM  
140173004LM  
2406100  
2406200  
2403100  
2401100



Matt white  
140051604  
140053604  
140052604  
140054604  
140171604LM  
140173604LM  
2406160  
2406260



Matt black  
140051264  
140053264  
140052264  
140054264  
140171264LM  
140173264LM  
2406126  
2406226

#### PACKS URB.Y

<b>14 09 51</b>	140051 + 140171LM + 24061	52,0 Kg
<b>14 09 53</b>	140053 + 140171LM + 24061	52,0 Kg
<b>14 09 52</b>	140052 + 140171LM + 24061	52,0 Kg
<b>14 09 54</b>	140054 + 140171LM + 24061	52,0 Kg

#### SYMBOLS



Back to wall



Rimflush



Dual Flush  
6/3L



Easyclip



Slowclose



Clipoff



Anti-bacterial



**TOILETS**  
CLOSE COUPLED  
BACK TO WALL



LOOK

# LOOK

**1 134023**

**LOOK RIMFLUSH VO CLOSE COUPLED TOILET**

348x520x400mm / 27.1Kg  
Includes fixing kit and pan connector.

**2 134024**

**LOOK RIMFLUSH HO CLOSE COUPLED TOILET**

348x520x400mm / 27.1Kg  
Includes fixing kit. Does not include pan connector MSKT1986.

**3 134111LM**

**LOOK TOILET CISTERN**

365x146x410mm / 10.4Kg  
Includes cover. Includes 6/3L mechanism.

**3 134113LM**

**LOOK TOILET CISTERN WITH SIDE WATER INLET**

365x146x410mm / 10.4Kg  
Includes cover. Includes 6/3L mechanism.

**23461**

**LOOK SLIM TOILET SEAT WITH EASYCLIP AND SLOWCLOSE**

2.8Kg  
Duroplast toilet seat with stainless steel hinges. With anti-bacterial protection.

**23431**

**LOOK TOILET SEAT WITH CLIPOFF AND SLOWCLOSE**

2.4Kg  
Duroplast toilet seat with stainless steel hinges. With anti-bacterial protection.

**23411**

**LOOK TOILET SEAT WITH CLIPOFF**

2.4Kg  
Duroplast toilet seat with stainless steel hinges. With anti-bacterial protection.

**MSKT1986**

**Ø90 PAN CONNECTOR FOR HO TOILET**



PACKS LOOK

<b>134925</b>	134023 + 134111LM + 23431	44,90 Kg
<b>134915</b>	134024 + 134111LM + 23461	44,90 Kg
<b>134926</b>	134024 + 134111LM + 23431	44,90 Kg

SYMBOLS





**TOILETS**  
CLOSE COUPLED  
BACK TO WALL





WINNER



**TOILETS**  
CLOSE COUPLED  
BACK TO WALL





## WINNER

### 1 142025

#### WINNER RIMFLUSH VO CLOSE COUPLED TOILET

350x634x405mm / 25.3Kg  
Includes fixing kit and pan connector.

### 1 142027

#### WINNER RIMFLUSH VO CLOSE COUPLED TOILET WITH HOLE FOR WATER INLET

350x634x405mm / 25.3Kg  
Includes fixing kit and pan connector.

### 2 142026

#### WINNER RIMFLUSH HO CLOSE COUPLED TOILET

350x634x405mm / 25.3Kg  
Includes fixing kit. Does not include pan connector MSKT1986.

### 2 142028

#### WINNER RIMFLUSH HO CLOSE COUPLED TOILET WITH HOLE FOR WATER INLET

350x634x405mm / 25.3Kg  
Includes fixing kit. Does not include pan connector MSKT1986.

### 3 142111LM

#### WINNER TOILET CISTERN

365x146x415mm / 14.0Kg  
Includes cover. Includes 4,5/3L mechanism.

### 3 142113LM

#### WINNER TOILET CISTERN WITH SIDE WATER INLET

365x146x415mm / 14.0Kg  
Includes cover. Includes 4,5/3L mechanism.

### 24261

#### WINNER SLIM TOILET SEAT WITH EASYCLIP AND SLOWCLOSE

2.6Kg  
Duroplast toilet seat with stainless steel hinges. With anti-bacterial protection.

### 24231

#### WINNER TOILET SEAT WITH EASYCLIP AND SLOWCLOSE

2.6Kg  
Duroplast toilet seat with stainless steel hinges. With anti-bacterial protection.

### MSKT1986

#### Ø90 PAN CONNECTOR FOR HO TOILET



#### PACKS WINNER

142929	142025 + 142111LM + 24261	44,70 Kg
142925	142025 + 142111LM + 24231	44,70 Kg
142930	142026 + 142111LM + 24261	44,50 Kg
142926	142026 + 142111LM + 24231	44,50 Kg

#### SYMBOLS



Back to wall



Rimflush



Dual Flush  
4,5/3L



Easyclip



Slowclose



Anti-bacterial



# TOILETS

CLOSE COUPLED



VINTAGE

## VINTAGE

### 1 117021

#### VINTAGE VO CLOSE COUPLED TOILET

370x685x430mm / 29.8Kg

Includes fixing kit and pan connector.

### 2 117022

#### VINTAGE HO CLOSE COUPLED TOILET

370x685x430mm / 29.8Kg

Includes fixing kit. Does not include pan connector MSKT1986.

### 3 117111LM

#### VINTAGE TOILET CISTERN

353x153x417mm / 13.7Kg

Includes cover. Includes 6/3L mechanism.

### 21731

#### VINTAGE TOILET SEAT WITH SLOWCLOSE

4.2Kg

Duroplast toilet seat with stainless steel hinges. With anti-bacterial protection.

### 21711

#### VINTAGE TOILET SEAT

4.0Kg

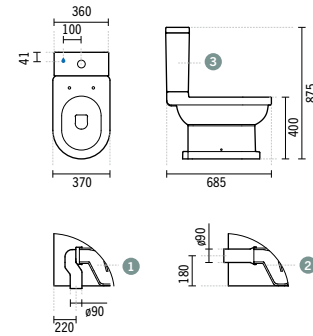
Duroplast toilet seat with stainless steel hinges. With anti-bacterial protection.

### MSKT1986

#### Ø90 PAN CONNECTOR FOR HO TOILET



21731 . 21711



#### SYMBOLS



Dual Flush  
6/3L



Slowclose



Anti-bacterial



# TOILETS

CLOSE COUPLED







**TOILETS**  
CLOSE COUPLED



URB.Y

## URB.Y

### 1 140029

#### URB.Y 65 RIMFLUSH VO CLOSE COUPLED TOILET

360x600x410mm / 30.8Kg

Includes fixing kit and pan connector.

Colours available upon request: matt white and matt black.

### 2 140030

#### URB.Y 65 RIMFLUSH HO CLOSE COUPLED TOILET

360x600x410mm / 30.8Kg

Includes fixing kit. Does not include pan connector MSKT1986.

Colours available upon request: matt white and matt black.

### 3 140171LM

#### URB.Y TOILET CISTERN

379x155x433mm / 13.3Kg

Includes cover. Includes 6/3L mechanism.

Colours available upon request: matt white and matt black.

### 3 140173LM

#### URB.Y TOILET CISTERN WITH SIDE WATER INLET

379x155x433mm / 13.3Kg

Includes cover. Includes 6/3L mechanism.

Colours available upon request: matt white and matt black.

### 24061

#### URB.Y SLIM TOILET SEAT WITH EASYCLIP AND SLOWCLOSE

2.8Kg

Duroplast toilet seat with stainless steel hinges. With anti-bacterial protection.

Colours available upon request: matt white and matt black.

### 24062

#### URB.Y SLIM TOILET SEAT WITH CLIPOFF AND SLOWCLOSE

2.8Kg

Duroplast toilet seat with stainless steel hinges. With anti-bacterial protection.

Colours available upon request: matt white and matt black.

### 24031

#### URB.Y TOILET SEAT WITH CLIPOFF AND SLOWCLOSE

2.4Kg

Duroplast toilet seat with stainless steel hinges. With anti-bacterial protection.

### 24011

#### URB.Y TOILET SEAT WITH CLIPOFF

2.4Kg

Duroplast toilet seat with stainless steel hinges. With anti-bacterial protection.

### MSKT1986

#### Ø90 PAN CONNECTOR FOR HO TOILET



24061 . 24062

24031 . 24011

#### AVAILABLE COLOURS



White

140029004  
140030004  
140171004LM  
140173004LM  
2406100  
2406200  
2403100  
2401100



Matt white

140029604  
140030604  
140171604LM  
140173604LM  
2406160  
2406260



Matt black

140029264  
140030264  
140171264LM  
140173264LM  
2406126  
2406226

#### PACKS URB.Y

<b>140913</b>	140029 + 140171LM + 24061	52,00 Kg
<b>140917</b>	140029 + 140171LM + 24031	52,00 Kg
<b>140930</b>	140029 + 140171LM + 24011	52,00 Kg
<b>140931</b>	140029 + 140173LM + 24011	52,00 Kg
<b>140914</b>	140030 + 140171LM + 24061	52,00 Kg
<b>140915</b>	140030 + 140173LM + 24061	52,00 Kg
<b>140918</b>	140030 + 140173LM + 24031	52,00 Kg
<b>140916</b>	140030 + 140173LM + 24011	52,00 Kg
<b>140910</b>	140030 + 140171LM + 24011	52,00 Kg

#### SYMBOLS



Rimflush



Dual Flush  
6/3L



Easyclip



Slowclose



Clipoff



Anti-bacterial



# TOILETS

CLOSE COUPLED



LOOK



# LOOK

**1 134025**

**LOOK RIMFLUSH VO CLOSE COUPLED TOILET**

342x650x400mm / 32.9Kg  
Includes fixing kit and pan connector.

**2 134026**

**LOOK RIMFLUSH HO CLOSE COUPLED TOILET**

342x650x400mm / 32.9Kg  
Includes fixing kit. Does not include pan connector MSKT1986.

**3 134111LM**

**LOOK TOILET CISTERN**

365x146x410mm / 10.4Kg  
Includes cover. Includes 6/3L mechanism.

**3 134113LM**

**LOOK TOILET CISTERN WITH SIDE WATER INLET**

365x146x410mm / 10.4Kg  
Includes cover. Includes 6/3L mechanism.

**23461**

**LOOK SLIM TOILET SEAT WITH EASYCLIP AND SLOWCLOSE**

2.8Kg  
Duroplast toilet seat with stainless steel hinges. With anti-bacterial protection.

**23431**

**LOOK TOILET SEAT WITH CLIPOFF AND SLOWCLOSE**

2.4Kg  
Duroplast toilet seat with stainless steel hinges. With anti-bacterial protection.

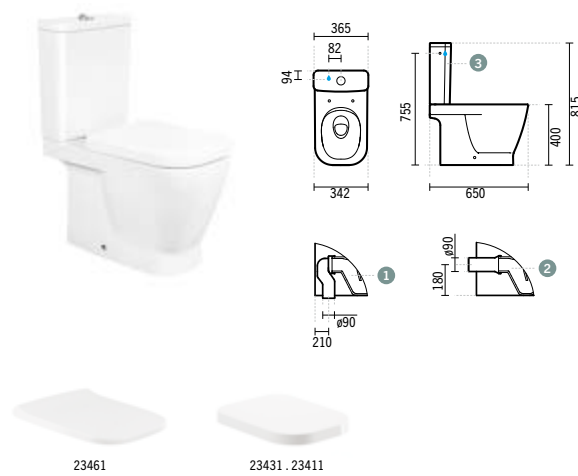
**23411**

**LOOK TOILET SEAT WITH CLIPOFF**

2.4Kg  
Duroplast toilet seat with stainless steel hinges. With anti-bacterial protection.

**MSKT1986**

**Ø90 PAN CONNECTOR FOR HO TOILET**



PACKS LOOK

<b>134927</b>	134026 + 134111LM + 23461	44,90 Kg
<b>134929</b>	134026 + 134143LM + 23461	44,90 Kg
<b>134920</b>	134026 + 134141LM + 23431	44,90 Kg
<b>134928</b>	134026 + 134143LM + 23431	44,90 Kg
<b>134914</b>	134026 + 134141LM + 23411	44,90 Kg

SYMBOLS





# TOILETS

CLOSE COUPLED



**TOILETS**  
CLOSE COUPLED



WINNER



# TOILETS

CLOSE COUPLED



WINNER

## WINNER

### 1 142021

#### WINNER RIMFLUSH VO CLOSE COUPLED TOILET

350x640x400mm / 23.0Kg

Includes fixing kit and pan connector.

### 2 142022

#### WINNER RIMFLUSH HO CLOSE COUPLED TOILET

350x640x400mm / 23.0Kg

Includes fixing kit. Does not include pan connector MSKT1986.

### 3 142111LM

#### WINNER TOILET CISTERN

365x146x415mm / 14.0Kg

Includes cover. Includes 4,5/3L mechanism.

### 3 142113LM

#### WINNER TOILET CISTERN WITH SIDE WATER INLET

365x146x415mm / 14.0Kg

Includes cover. Includes 4,5/3L mechanism.

### 24261

#### WINNER SLIM TOILET SEAT WITH EASYCLIP AND SLOWCLOSE

2.6Kg

Duroplast toilet seat with stainless steel hinges. With anti-bacterial protection.

### 24231

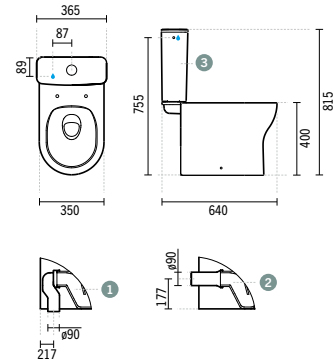
#### WINNER TOILET SEAT WITH EASYCLIP AND SLOWCLOSE

2.6Kg

Duroplast toilet seat with stainless steel hinges. With anti-bacterial protection.

### MSKT1986

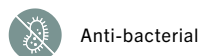
#### Ø90 PAN CONNECTOR FOR HO TOILET



#### PACKS WINNER

<b>142927</b>	142021 + 142111LM + 24261	42,80 Kg
<b>142931</b>	142021 + 142113LM + 24261	40,50 Kg
<b>142921</b>	142021 + 142111LM + 24231	42,80 Kg
<b>142923</b>	142021 + 142113LM + 24231	40,50 Kg
<b>142928</b>	142022 + 142111LM + 24261	42,80 Kg
<b>142932</b>	142022 + 142113LM + 24261	40,50 Kg
<b>142922</b>	142022 + 142111LM + 24231	42,80 Kg
<b>142924</b>	142022 + 142113LM + 24231	40,50 Kg

#### SYMBOLS





**TOILETS**  
CLOSE COUPLED



# ALFA

**1 100021**

**ALFA VO CLOSE COUPLED TOILET**

380x595x415mm / 27.8Kg

Includes fixing kit.

**2 100022**

**ALFA HO CLOSE COUPLED TOILET**

380x595x415mm / 27.8Kg

Includes fixing kit.

**3 100111LM**

**ALFA TOILET CISTERN**

380x180x445mm / 10.0Kg

Includes cover. Includes 6/3L mechanism.

**3 100113LM**

**ALFA TOILET CISTERN WITH SIDE WATER INLET**

380x180x445mm / 10.0Kg

Includes cover. Includes 6/3L mechanism.

**22131**

**ALFA TOILET SEAT WITH SLOWCLOSE**

2.86Kg

Duroplast toilet seat with stainless steel hinges. With anti-bacterial protection.

**22111**

**ALFA TOILET SEAT**

2.45Kg

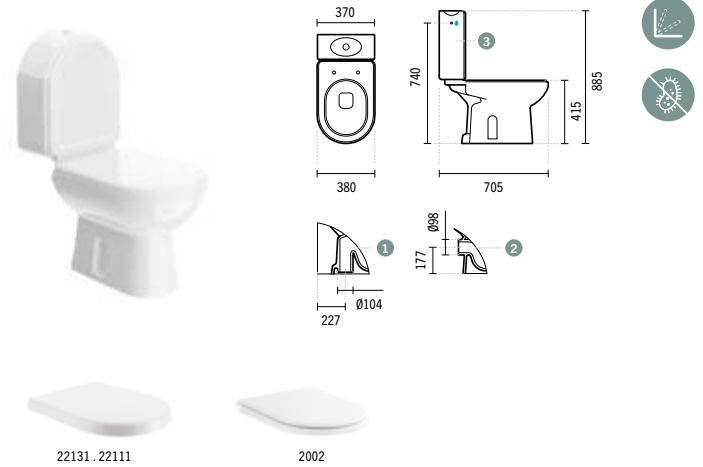
Duroplast toilet seat with stainless steel hinges. With anti-bacterial protection.

**2002**

**ALFA ABS TOILET SEAT**

2.27Kg

ABS toilet seat with nylon hinges.



**SYMBOLS**



Slowclose



Anti-bacterial



# TOILETS

CLOSE COUPLED



EASY



## EASY

**1 131023**

**EASY RIMFLUSH VO CLOSE COUPLED TOILET**

342x639x390mm / 24.2Kg

Includes fixing kit.

**2 131024**

**EASY RIMFLUSH HO CLOSE COUPLED TOILET**

342x639x390mm / 24.2Kg

Includes fixing kit.

**3 131111LM**

**EASY TOILET CISTERN**

313x147x380mm / 9.7Kg

Includes cover. Includes 6/3L mechanism.

**3 131113LM**

**EASY TOILET CISTERN WITH SIDE WATER INLET**

313x147x380mm / 9.7Kg

Includes cover. Includes 6/3L mechanism.

**3 131141LM**

**EASY TOILET CISTERN WITH EFFICIENT FLUSH MECHANISM**

313x147x380mm / 10.0Kg

Includes cover. Includes 4,5/3L mechanism.

**3 131143LM**

**EASY TOILET CISTERN WITH EFFICIENT FLUSH MECHANISM AND SIDE WATER INLET**

313x147x380mm / 10.0Kg

Includes cover. Includes 4,5/3L mechanism.

**23131**

**EASY TOILET SEAT WITH SLOWCLOSE**

2.2Kg

Duroplast toilet seat with stainless steel hinges. With anti-bacterial protection.

**23114**

**EASY TOILET SEAT**

2.2Kg

Duroplast toilet seat with stainless steel hinges. With anti-bacterial protection.

**23121**

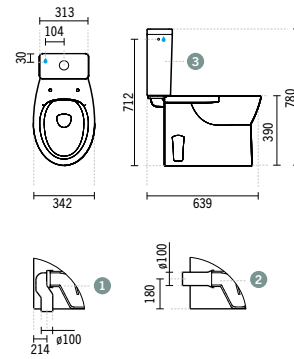
**EASY THERMOPLAST TOILET SEAT**

1.8Kg

Thermoplast toilet seat with nylon hinges.



23114



PACKS EASY

<b>131914</b>	131024 + 131111LM + 23131	36,85 Kg
<b>131963</b>	131023 + 131111LM + 23131	36,85 Kg
<b>131964</b>	131023 + 131111LM + 23114	36,85 Kg
<b>131961</b>	131023 + 131111LM + 23121	36,85 Kg
<b>131962</b>	131023 + 131113LM + 23121	36,85 Kg
<b>131930</b>	131024 + 131113LM + 23131	36,85 Kg
<b>131910</b>	131024 + 131111LM + 23114	36,85 Kg
<b>131920</b>	131024 + 131113LM + 23114	36,85 Kg
<b>131959</b>	131024 + 131111LM + 23121	36,85 Kg
<b>131960</b>	131024 + 131113LM + 23121	36,85 Kg

SYMBOLS



Rimflush



Dual Flush  
6/3L



Dual Flush  
4,5/3L



Slowclose



Anti-bacterial



# TOILETS

CLOSE COUPLED



AVEIRO

# AVEIRO

**1 103021**

**AVEIRO VO CLOSE COUPLED TOILET**

365x670x403mm / 18.3Kg

Includes fixing kit.

**2 103022**

**AVEIRO HO CLOSE COUPLED TOILET**

363x685x402mm / 19.0Kg

Includes fixing kit.

**3 103111LM**

**AVEIRO TOILET CISTERN**

410x180x408mm / 13.1Kg

Includes cover. Includes single flush mechanism.

**3 103113LM**

**AVEIRO TOILET CISTERN WITH SIDE WATER INLET**

410x180x408mm / 13.3Kg

Includes cover. Includes single flush mechanism.

**3 103111MJ**

**AVEIRO TOILET CISTERN**

410x180x408mm / 13.1Kg

Includes cover. Includes 6/3L mechanism.

**3 103113MJ**

**AVEIRO TOILET CISTERN WITH SIDE WATER INLET**

410x180x408mm / 13.3Kg

Includes cover. Includes 6/3L mechanism.

**20314**

**AVEIRO TOILET SEAT WITH CLIPOFF AND SLOWCLOSE**

2.2Kg

Duroplast toilet seat with stainless steel hinges. With anti-bacterial protection.

**20311**

**AVEIRO TOILET SEAT WITH CLIPOFF**

2.2Kg

Duroplast toilet seat with stainless steel hinges. With anti-bacterial protection.

**20361**

**AVEIRO THERMOPLAST TOILET SEAT**

1.3Kg

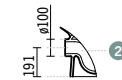
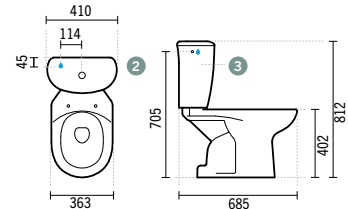
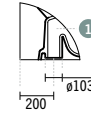
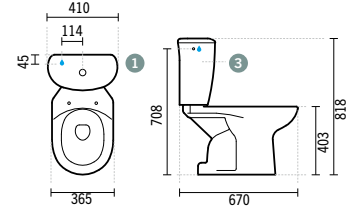
Thermoplast toilet seat with stainless steel hinges.

**20321**

**AVEIRO THERMOPLAST TOILET SEAT**

1.4Kg

Thermoplast toilet seat with nylon hinges.



**PACKS AVEIRO**

<b>103911</b>	103021 + 103113MJ + 20314	33,90 Kg
<b>103912</b>	103022 + 103113MJ + 20314	33,90 Kg
<b>103913</b>	103021 + 103113MJ + 20321	33,90 Kg
<b>103914</b>	103022 + 103113MJ + 20361	33,90 Kg
<b>103915</b>	103021 + 103111MJ + 20311	33,90 Kg
<b>103916</b>	103022 + 103111MJ + 20311	33,90 Kg
<b>103921</b>	103021 + 103111MJ + 20321	33,90 Kg
<b>103922</b>	103022 + 103111MJ + 20321	33,90 Kg
<b>103923</b>	103022 + 103113MJ + 20321	33,90 Kg
<b>103931</b>	103021 + 103111LM + 20314	33,90 Kg
<b>103933</b>	103021 + 103111LM + 20311	33,90 Kg
<b>103934</b>	103022 + 103111LM + 20311	33,90 Kg
<b>103936</b>	103022 + 103111LM + 20314	33,90 Kg
<b>103937</b>	103022 + 103111MJ + 20314	33,90 Kg
<b>103938</b>	103022 + 103111MJ + 20361	33,90 Kg
<b>103940</b>	103022 + 103113MJ + 20311	33,90 Kg

**SYMBOLS**



Slowclose



Clipoff



Anti-bacterial



# TOILETS WALL HUNG





TEXTURED SANLIFE



**TOILETS**  
WALL HUNG



SANLIFE

## SANLIFE

### 136032

#### SANLIFE RIMFLUSH WALL HUNG TOILET

380x595x410mm / 21.9Kg

Colours available upon request:

Matt white, matt black, matt taupe and matt gold/white

### 136032

#### SANLIFE RIMFLUSH WALL HUNG TOILET

380x595x410mm / 21.9Kg

Colours available upon request:

Textured matt white, textured matt black and textured matt gold/white

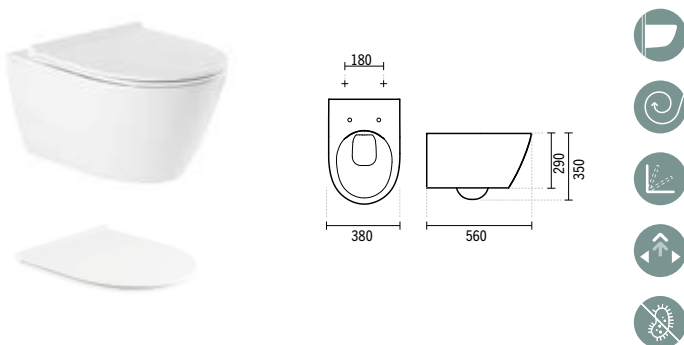
### 23661

#### SANLIFE SLIM TOILET SEAT WITH CLIPOFF AND SLOWCLOSE

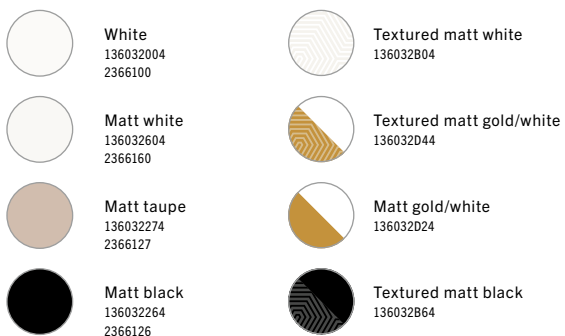
3.0Kg

Duroplast toilet seat with stainless steel hinges. With anti-bacterial protection.

Colours available upon request: matt white, matt black and matt taupe.



#### AVAILABLE COLOURS

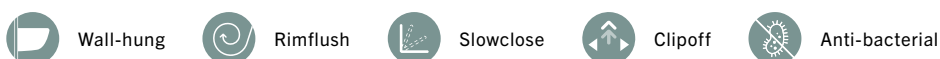


#### PACKS SANLIFE

136932 136032 + 23661

25,0 Kg

#### SYMBOLS



German Design Award  
German Design Council



Iconic Award  
German Design Council



reddot winner 2022

Red Dot Design Award  
Red Dot GmbH & Co. KG



Good Design Award  
Chicago Athenaeum  
Museum of Architecture  
and Design - USA



**TOILETS**  
WALL HUNG



TEXTURED SANLIFE





TEXTURED SANLIFE



**TOILETS**  
WALL HUNG



WCA



WCA

## WCA

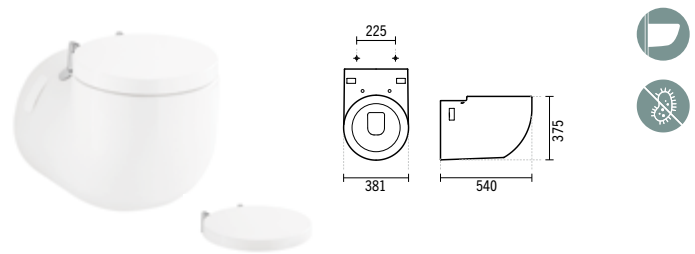
**111032**

**WCA WALL HUNG TOILET**  
381x540x375mm / 26.2Kg

**21111**

**WCA TOILET SEAT**  
3.7Kg

Duroplast toilet seat with stainless steel hinges. With anti-bacterial protection.



## DESIGN PLUS

**Design Plus Award**  
German Design Council



**Good Design Award**  
Chicago Athenaeum  
Museum of Architecture  
and Design - USA

### SYMBOLS



Wall-hung



Anti-bacterial



# TOILETS

WALL HUNG



ADVANCE

## ADVANCE

**127032**

**ADVANCE WALL HUNG TOILET**

352x530x358mm / 27.3Kg

**22731**

**ADVANCE TOILET SEAT WITH SLOWCLOSE**

2.3Kg

Duroplast toilet seat with stainless steel hinges. With anti-bacterial protection.

**22711**

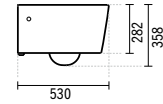
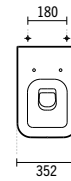
**ADVANCE TOILET SEAT**

2.3Kg

Duroplast toilet seat with stainless steel hinges. With anti-bacterial protection.



23761



### SYMBOLS



Wall-hung



Slowclose



Anti-bacterial



SANIBOLD



## SANIBOLD

**137034**

**SANIBOLD RIMFLUSH WALL HUNG TOILET**

355x505x360mm / 23.5Kg

Colours available upon request: matt white and matt black.

**23761**

**SANIBOLD SLIM TOILET SEAT WITH EASYCLIP AND SLOWCLOSE**

2.3Kg

Duroplast toilet seat with stainless steel hinges. With anti-bacterial protection.

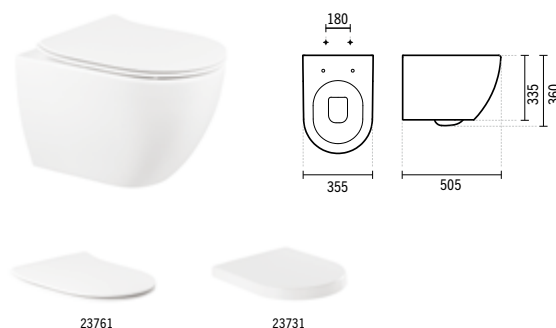
Colours available upon request: matt white and matt black.

**23731**

**SANIBOLD TOILET SEAT WITH CLIPOFF AND SLOWCLOSE**

2.3Kg

Duroplast toilet seat with stainless steel hinges. With anti-bacterial protection.



**AVAILABLE COLOURS**



White  
137034004  
2376100



Matt white  
137034604  
2376160



Matt black  
137034264  
2376126

**PACKS SANIBOLD**

**137949** 137034 + 23731 + 41233 + 4102311

**137938** 137034 + 23761 26,20 Kg

**137934** 137034 + 23731 26,20 Kg

**SYMBOLS**



Wall-hung



Rimflush



Slowclose



Clipoff



Anti-bacterial



**TOILETS**  
WALL HUNG







URB.Y



**TOILETS**  
WALL HUNG



URB.Y



URB.Y

## URB.Y

### 140034

#### URB.Y 48 RIMFLUSH WALL HUNG TOILET

350x483x330mm / 18.8Kg

Includes fixing kit.

Colours available upon request: matt white, matt grey, matt taupe and matt black.

### 24061

#### URB.Y SLIM TOILET SEAT WITH EASYCLIP AND SLOWCLOSE

2.8Kg

Duroplast toilet seat with stainless steel hinges. With anti-bacterial protection.

Colours available upon request: matt white and matt black.

### 24062

#### URB.Y SLIM TOILET SEAT WITH CLIPOFF AND SLOWCLOSE

2.8Kg

Duroplast toilet seat with stainless steel hinges. With anti-bacterial protection.

Colours available upon request: matt white, matt grey, matt taupe and matt black.

### 24031

#### URB.Y TOILET SEAT WITH CLIPOFF AND SLOWCLOSE

2.4Kg

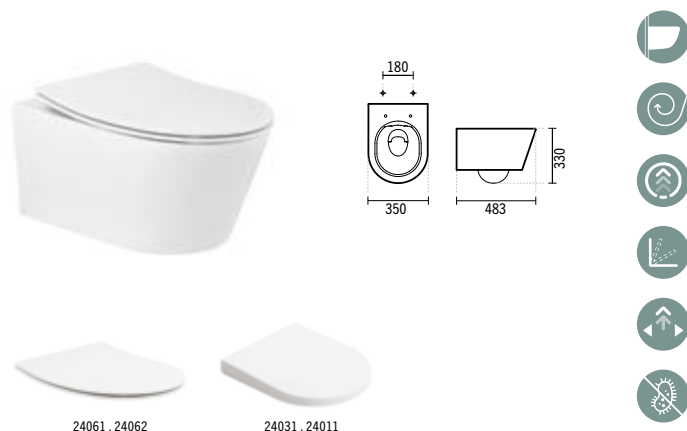
Duroplast toilet seat with stainless steel hinges. With anti-bacterial protection.

### 24011

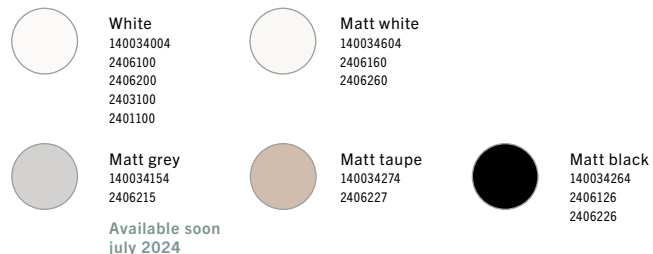
#### URB.Y TOILET SEAT WITH CLIPOFF

2.4Kg

Duroplast toilet seat with stainless steel hinges. With anti-bacterial protection.



#### AVAILABLE COLOURS



#### PACKS URB.Y

<b>140934</b>	140034 + 24031	21,0 Kg
<b>140935</b>	140034 + 24011	21,0 Kg
<b>140936</b>	140034 + 24061	21,63 Kg
<b>140938</b>	140034 + 24062	21,0 Kg

#### SYMBOLS



## URB.Y

### 140044

#### URB.Y 52 RIMFLUSH WALL HUNG TOILET

350x524x330mm / 21.6Kg

Includes fixing kit.

Colours available upon request: matt white, matt grey, matt taupe and matt black.

### 24061

#### URB.Y SLIM TOILET SEAT WITH EASYCLIP AND SLOWCLOSE

2.8Kg

Duroplast toilet seat with stainless steel hinges. With anti-bacterial protection.

Colours available upon request: matt white and matt black.

### 24062

#### URB.Y SLIM TOILET SEAT WITH CLIPOFF AND SLOWCLOSE

2.8Kg

Duroplast toilet seat with stainless steel hinges. With anti-bacterial protection.

Colours available upon request: matt white, matt grey, matt taupe and matt black.

### 24031

#### URB.Y TOILET SEAT WITH CLIPOFF AND SLOWCLOSE

2.4Kg

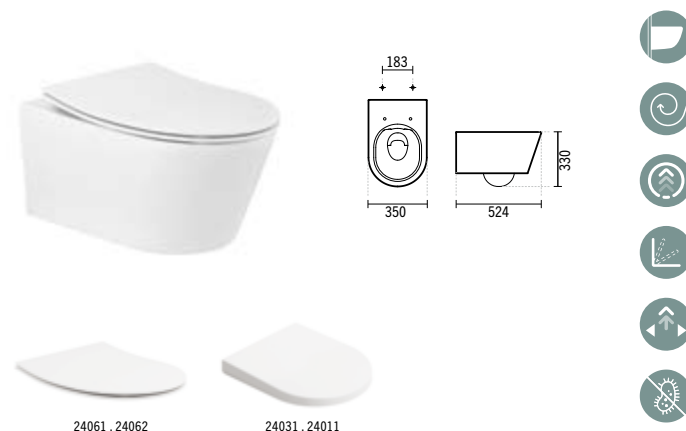
Duroplast toilet seat with stainless steel hinges. With anti-bacterial protection.

### 24011

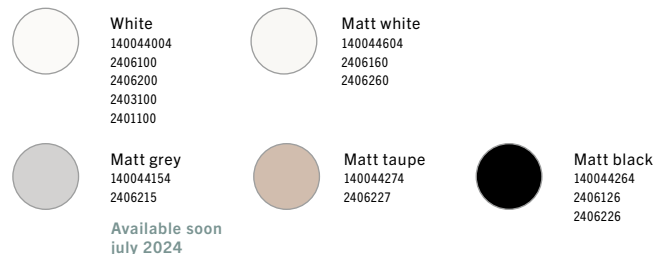
#### URB.Y TOILET SEAT WITH CLIPOFF

2.4Kg

Duroplast toilet seat with stainless steel hinges. With anti-bacterial protection.



#### AVAILABLE COLOURS



#### PACKS URB.Y

<b>140944</b>	140044 + 24031	24,0 Kg
<b>140945</b>	140044 + 24011	21,0 Kg
<b>140946</b>	140044 + 24061	24,44 Kg
<b>140947</b>	140044 + 24062	24,0 Kg



**TOILETS**  
WALL HUNG





WINNER



**TOILETS**  
WALL HUNG



## LOOK

### 134034

#### LOOK RIMFLUSH WALL HUNG TOILET

347x504x335mm / 25.2Kg

Colours available upon request: matt grey and matt black.

### 23461

#### LOOK SLIM TOILET SEAT WITH EASYCLIP AND SLOWCLOSE

2.8Kg

Duroplast toilet seat with stainless steel hinges. With anti-bacterial protection.

### 23463

#### LOOK SLIM TOILET SEAT WITH CLIPOFF AND SLOWCLOSE

2.8Kg

Duroplast toilet seat with stainless steel hinges. With anti-bacterial protection.

Colours available upon request: matt grey and matt black.

### 23431

#### LOOK TOILET SEAT WITH CLIPOFF AND SLOWCLOSE

2.7Kg

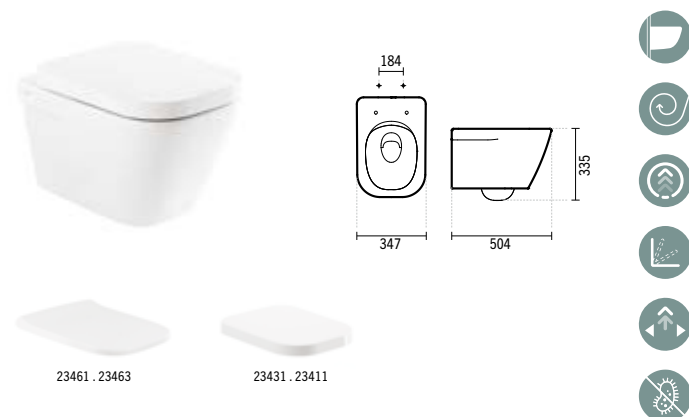
Duroplast toilet seat with stainless steel hinges. With anti-bacterial protection.

### 23411

#### LOOK TOILET SEAT WITH CLIPOFF

2.7Kg

Duroplast toilet seat with stainless steel hinges. With anti-bacterial protection.



#### AVAILABLE COLOURS



White  
134034004  
2346100  
2346300  
2343100  
2341100



Matt grey  
134034154  
2346315

Available soon  
july 2024



Matt black  
134034264  
2346326

Available soon  
july 2024

#### PACKS LOOK

<b>134934</b>	134034 + 23431	25,90 Kg
<b>134935</b>	134034 + 23461	25,90 Kg
<b>134936</b>	134034 + 23463	25,90 Kg

#### SYMBOLS



Wall-hung



Upper fixings



Rimflush



Easyclip



Slowclose



Clipoff



Anti-bacterial

## WINNER

### 142034

#### WINNER RIMFLUSH WALL HUNG TOILET

355x495x355mm / 19.30Kg

Includes fixing kit.

### 24261

#### WINNER SLIM TOILET SEAT WITH EASYCLIP AND SLOWCLOSE

2.6Kg

Duroplast toilet seat with stainless steel hinges. With anti-bacterial protection.

### 24231

#### WINNER TOILET SEAT WITH EASYCLIP AND SLOWCLOSE

2.6Kg

Duroplast toilet seat with stainless steel hinges. With anti-bacterial protection.



#### PACKS WINNER

<b>142935</b>	142034 + 24261	21,0 Kg
<b>142934</b>	142034 + 24231	21,0 Kg



## CETUS

### 110044

**CETUS 48 RIMFLUSH WALL HUNG TOILET**  
350x489x372mm

### 21062

**CETUS 52 TOILET SEAT WITH CLIPOFF AND SLOWCLOSE**  
2.0Kg  
Duroplast toilet seat with nylon hinges. With anti-bacterial protection.

### 21034

**CETUS 48 SLOWCLOSE TOILET SEAT**  
2.0Kg  
Duroplast toilet seat with stainless steel hinges. With anti-bacterial protection.

### 21014

**CETUS 48 TOILET SEAT**  
2.0Kg  
Duroplast toilet seat with stainless steel hinges. With anti-bacterial protection.



PACKS CETUS

<b>110944</b>	110044 + 21014	18,10 Kg
<b>110946</b>	110044 + 21034	18,10 Kg
<b>110947</b>	110044 + 21062	18,10 Kg

### SYMBOLS



Wall-hung



Easyclip



Rimflush



Slowclose



Clipoff



Anti-bacterial

### 110034

**CETUS 52 RIMFLUSH WALL HUNG TOILET**  
370x529x374mm / 13.6Kg

### 21062

**CETUS 52 TOILET SEAT WITH EASYCLIP AND SLOWCLOSE**  
2.00Kg  
Duroplast toilet seat with nylon hinges. With anti-bacterial protection.

### 21031

**CETUS 52 TOILET SEAT WITH CLIPOFF AND SLOWCLOSE**  
2.4Kg  
Duroplast toilet seat with stainless steel hinges. With anti-bacterial protection.

### 21011

**CETUS 52 TOILET SEAT WITH CLIPOFF**  
2.4Kg  
Duroplast toilet seat with stainless steel hinges. With anti-bacterial protection.

### 21051

**CETUS 52 TOILET SEAT WITH FRONT CUTAWAY**  
2.0Kg  
Duroplast toilet seat with stainless steel hinges. With anti-bacterial protection.



PACKS CETUS

<b>110937</b>	110034 + 21062	19,45 Kg
<b>110938</b>	110034 + 21011	19,45 Kg
<b>110939</b>	110034 + 21031	19,45 Kg





## AVEIRO

### 103042

**AVEIRO 70 WALL HUNG TOILET**  
360x700x345mm / 20.6Kg

### 20314

**AVEIRO TOILET SEAT WITH CLIPOFF AND SLOWCLOSE**  
2.2Kg

Duroplast toilet seat with stainless steel hinges. With anti-bacterial protection.

### 20311

**AVEIRO TOILET SEAT WITH CLIPOFF**  
2.2Kg

Duroplast toilet seat with stainless steel hinges. With anti-bacterial protection.

### 20361

**AVEIRO THERMOPLAST TOILET SEAT**  
1.3Kg

Thermoplast toilet seat with stainless steel hinges.

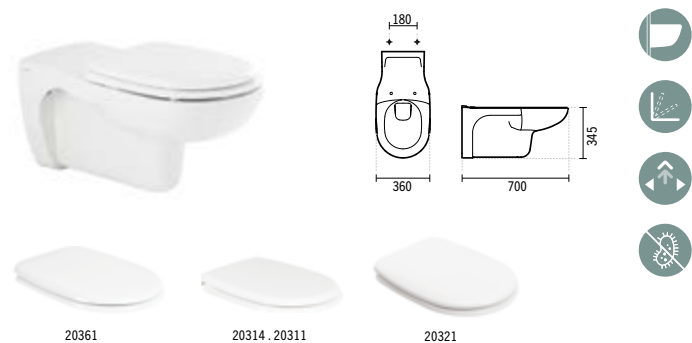
### 20321

**AVEIRO THERMOPLAST TOILET SEAT**  
1.4Kg

Thermoplast toilet seat with nylon hinges.

### 4A03042

**TUBE EXTENSOR**  
0.27Kg



#### PACKS AVEIRO

**103942** 103042 + 20321

23,87 Kg

#### SYMBOLS





**TOILETS**  
LOW LEVEL







# TOILETS

LOW LEVEL



SANLIFE



## SANLIFE

### 1 136011

#### SANLIFE RIMFLUSH VO LOW LEVEL TOILET

380x595x410mm / 30.5Kg  
Includes fixing kit and pan connector.  
Colours available upon request: matt white.

### 2 136012

#### SANLIFE RIMFLUSH HO LOW LEVEL TOILET

380x595x410mm / 30.4Kg  
Includes fixing kit. Does not include pan connector MSKT1986.  
Colours available upon request: matt white.

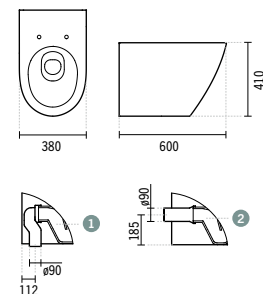
### 23661

#### SANLIFE SLIM TOILET SEAT WITH CLIPOFF AND SLOWCLOSE

3.0Kg  
Duroplast toilet seat with stainless steel hinges. With anti-bacterial protection.  
Colours available upon request: matt white.

### MSKT1986

#### Ø90 PAN CONNECTOR FOR HO TOILET



#### AVAILABLE COLOURS



White  
136011004  
136012004  
2366100



Matt white  
136011604  
136012604  
2366160

#### SYMBOLS



Back to wall



Rimflush



Slowclose



Clipoff



Anti-bacterial



# TOILETS

LOW LEVEL



## ADVANCE

### 1 127011

#### ADVANCE VO LOW LEVEL TOILET

350x525x410mm / 33.7Kg

Includes fixing kit and pan connector.

### 2 127012

#### ADVANCE HO LOW LEVEL TOILET

350x615x406mm / 37.1Kg

Includes fixing kit. Does not include pan connector MSKT1986.

### 22731

#### ADVANCE TOILET SEAT WITH SLOWCLOSE

2.3Kg

Duroplast toilet seat with stainless steel hinges. With anti-bacterial protection.

### 22711

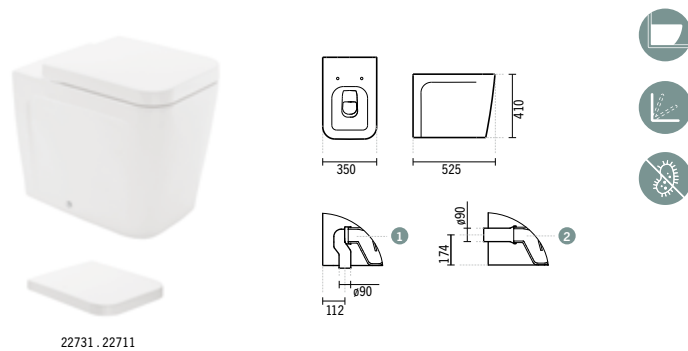
#### ADVANCE TOILET SEAT

2.3Kg

Duroplast toilet seat with stainless steel hinges. With anti-bacterial protection.

### MSKT1986

#### Ø90 PAN CONNECTOR FOR HO TOILET



22731 . 22711

## VINTAGE

### 1 117011

#### VINTAGE VO LOW LEVEL TOILET

375x575x435mm / 27.5Kg

Includes fixing kit and pan connector.

### 2 117012

#### VINTAGE HO LOW LEVEL TOILET

375x575x435mm / 27.5Kg

Includes fixing kit. Does not include pan connector MSKT1986.

### 21731

#### VINTAGE TOILET SEAT WITH SLOWCLOSE

4.2Kg

Duroplast toilet seat with stainless steel hinges. With anti-bacterial protection.

### 21711

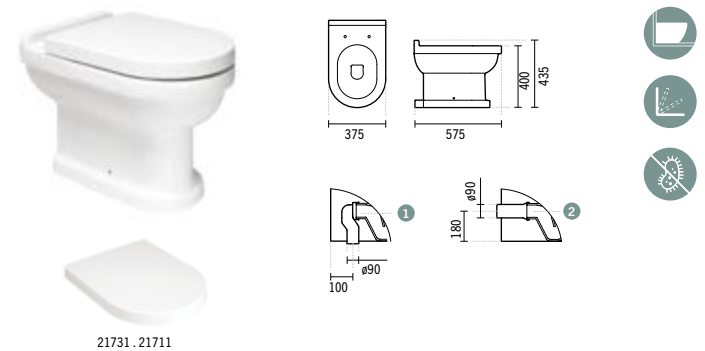
#### VINTAGE TOILET SEAT

4.0Kg

Duroplast toilet seat with stainless steel hinges. With anti-bacterial protection.

### MSKT1986

#### Ø90 PAN CONNECTOR FOR HO TOILET



21731 . 21711

## SYMBOLS



Back to wall



Slowclose



Anti-bacterial



**TOILETS**  
LOW LEVEL







SANIBOLD



**TOILETS**  
LOW LEVEL



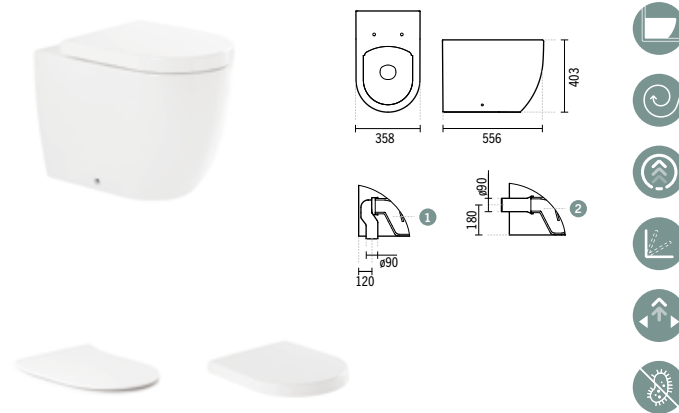
SANIBOLD



SANIBOLD




## SANIBOLD

<b>1</b>	<b>137011</b>	225,23€	292,50€
<b>SANIBOLD RIMFLUSH VO LOW LEVEL TOILET</b>			
358x556x403mm / 26.8Kg Includes fixing kit and pan connector. Colours available upon request: matt white and matt black.			
<b>2</b>	<b>137012</b>	225,23€	292,50€
<b>SANIBOLD RIMFLUSH HO LOW LEVEL TOILET</b>			
358x556x403mm / 26.8 Kg Includes fixing kit and pan connector. Colours available upon request: matt white and matt black.			
	<b>23761</b>	100,00€	140,00€
<b>SANIBOLD SLIM TOILET SEAT WITH EASYCLIP AND SLOWCLOSE</b>			
2.3Kg Duroplast toilet seat with stainless steel hinges. With anti-bacterial protection. Colours available upon request: matt white and matt black.			
	<b>23731</b>	87,50€	
<b>SANIBOLD TOILET SEAT WITH CLIPOFF AND SLOWCLOSE</b>			
2.3Kg Duroplast toilet seat with stainless steel hinges. With anti-bacterial protection.			
	<b>MSKT1986</b>	6,71€	
<b>Ø90 PAN CONNECTOR FOR HO TOILET</b>			



23761 23731

### AVAILABLE COLOURS

	<b>White</b> 137011004 137012004 2376100 2373100		<b>Matt white</b> 137011604 137012604 2376160		<b>Matt black</b> 137011264 137012264 2376126
---	--	---	--	---	--

### SYMBOLS





# TOILETS

LOW LEVEL



## URB.Y PLUS

1 **146013**

### URB.Y PLUS VO RIMFLUSH LOW LEVEL TOILET

355x547x400mm / 32.1Kg  
Includes fixing kit and pan connector.

2 **146014**

### URB.Y PLUS HO RIMFLUSH LOW LEVEL TOILET

355x547x400mm / 32.1Kg  
Includes fixing kit. Does not include pan connector MSKT1986.

1 **146011**

### URB.Y PLUS VO LOW LEVEL TOILET

355x547x400mm / 32.1Kg  
Includes fixing kit and pan connector.

2 **146012**

### URB.Y PLUS HO LOW LEVEL TOILET

355x547x400mm / 32.1Kg  
Includes fixing kit. Does not include pan connector MSKT1986.

**24061**

### URB.Y SLIM TOILET SEAT WITH EASYCLIP AND SLOWCLOSE

2.8Kg  
Duroplast toilet seat with stainless steel hinges. With anti-bacterial protection.

**24062**

### URB.Y SLIM TOILET SEAT WITH CLIPOFF AND SLOWCLOSE

2.8Kg  
Duroplast toilet seat with stainless steel hinges. With anti-bacterial protection.

**24031**

### URB.Y TOILET SEAT WITH CLIPOFF AND SLOWCLOSE

2.4Kg  
Duroplast toilet seat with stainless steel hinges. With anti-bacterial protection.

**24011**

### URB.Y TOILET SEAT WITH CLIPOFF

2.4Kg  
Duroplast toilet seat with stainless steel hinges. With anti-bacterial protection.

**MSKT1986**

Ø90 PAN CONNECTOR FOR HO TOILET

## URB.Y

1 **140015**

### URB.Y RIMFLUSH VO LOW LEVEL TOILET

356x553x405mm / 25.4Kg  
Includes fixing kit and pan connector.

2 **140016**

### URB.Y RIMFLUSH HO LOW LEVEL TOILET

356x553x405mm / 25.4Kg  
Includes fixing kit. Does not include pan connector MSKT1986.

1 **140013**

### URB.Y VO LOW LEVEL TOILET

356x553x405mm / 25.4Kg  
Includes fixing kit and pan connector.

2 **140014**

### URB.Y HO LOW LEVEL TOILET

356x553x405mm / 25.4Kg  
Includes fixing kit. Does not include pan connector MSKT1986.

**24061**

### URB.Y SLIM TOILET SEAT WITH EASYCLIP AND SLOWCLOSE

2.8Kg  
Duroplast toilet seat with stainless steel hinges. With anti-bacterial protection.

**24062**

### URB.Y SLIM TOILET SEAT WITH CLIPOFF AND SLOWCLOSE

2.8Kg  
Duroplast toilet seat with stainless steel hinges. With anti-bacterial protection.

**24031**

### URB.Y TOILET SEAT WITH CLIPOFF AND SLOWCLOSE

2.4Kg  
Duroplast toilet seat with stainless steel hinges. With anti-bacterial protection.

**24011**

### URB.Y TOILET SEAT WITH CLIPOFF

2.4Kg  
Duroplast toilet seat with stainless steel hinges. With anti-bacterial protection.

**MSKT1986**

Ø90 PAN CONNECTOR FOR HO TOILET



### SYMBOLS





**TOILETS**  
LOW LEVEL





**WINNER**



# TOILETS

LOW LEVEL





## LOOK

### 1 134011

#### LOOK VO LOW LEVEL TOILET

348x520x400mm / 27.1Kg  
Includes fixing kit and pan connector.

### 2 134012

#### LOOK HO LOW LEVEL TOILET

348x520x400mm / 27.1Kg  
Includes fixing kit. Does not include pan connector MSKT1986.

### 23461

#### LOOK SLIM TOILET SEAT WITH EASYCLIP AND SLOWCLOSE

2.8Kg  
Duroplast toilet seat with stainless steel hinges. With anti-bacterial protection.

### 23431

#### LOOK TOILET SEAT WITH CLIPOFF AND SLOWCLOSE

2.4Kg  
Duroplast toilet seat with stainless steel hinges. With anti-bacterial protection.

### 23411

#### LOOK TOILET SEAT WITH CLIPOFF

2.4Kg  
Duroplast toilet seat with stainless steel hinges. With anti-bacterial protection.

### MSKT1986

#### Ø90 PAN CONNECTOR FOR HO TOILET



## WINNER

### 1 142011

#### WINNER RIMFLUSH VO LOW LEVEL TOILET

348x530x402mm  
Includes fixing kit and pan connector.

### 2 142012

#### WINNER RIMFLUSH HO LOW LEVEL TOILET

348x530x402mm  
Includes fixing kit. Does not include pan connector MSKT1986.

### 24261

#### WINNER SLIM TOILET SEAT WITH EASYCLIP AND SLOWCLOSE

2.6Kg  
Duroplast toilet seat with stainless steel hinges. With anti-bacterial protection.

### 24231

#### WINNER TOILET SEAT WITH EASYCLIP AND SLOWCLOSE

2.6Kg  
Duroplast toilet seat with stainless steel hinges. With anti-bacterial protection.

### MSKT1986

#### Ø90 PAN CONNECTOR FOR HO TOILET



## SYMBOLS



Back to wall



Rimflush



Easyclip



Slowclose



Clipoff



Anti-bacterial



# TOILETS

## LOW LEVEL

BACK TO WALL



## EASY

### 1 131013

#### EASY VO LOW LEVEL TOILET

348x504x394mm / 17.0Kg

Includes fixing kit and pan connector.

### 2 131014

#### EASY HO LOW LEVEL TOILET

348x504x394mm / 17.0Kg

Includes fixing kit. Does not include pan connector MSKT1986.

### 23131

#### EASY TOILET SEAT WITH SLOWCLOSE

2.2Kg

Duroplast toilet seat with stainless steel hinges. With anti-bacterial protection.

### 23114

#### EASY TOILET SEAT

2.2Kg

Duroplast toilet seat with stainless steel hinges. With anti-bacterial protection.

### 23121

#### EASY THERMOPLAST TOILET SEAT

1.8Kg

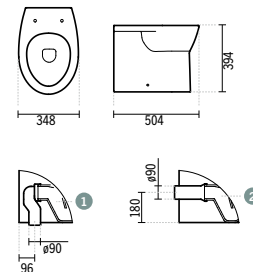
Thermoplast toilet seat with nylon hinges.

### MSKT1986

Ø90 PAN CONNECTOR FOR HO TOILET



23131 . 23114 . 23121



## SYMBOLS



Back to wall



Slowclose



Anti-bacterial

## AVEIRO

### 103011

#### AVEIRO VO LOW LEVEL TOILET

364x597x393mm / 18.2Kg

Includes fixing kit.

### 20314

#### AVEIRO TOILET SEAT WITH CLIPOFF AND SLOWCLOSE

2.2Kg

Duroplast toilet seat with stainless steel hinges. With anti-bacterial protection.

### 20311

#### AVEIRO TOILET SEAT WITH CLIPOFF

2.2Kg

Duroplast toilet seat with stainless steel hinges. With anti-bacterial protection.

### 20361

#### AVEIRO THERMOPLAST TOILET SEAT

1.3Kg

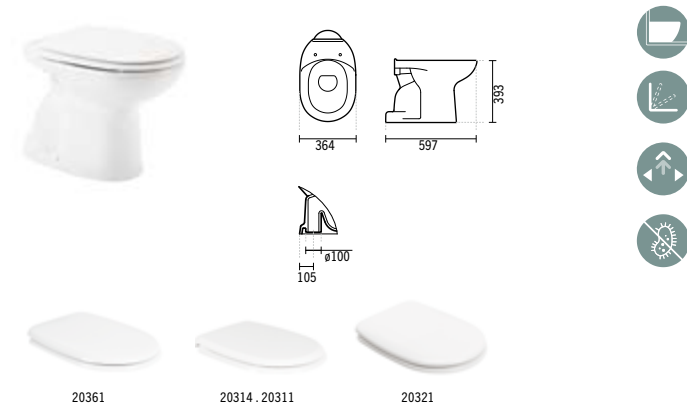
Thermoplast toilet seat with stainless steel hinges.

### 20321

#### AVEIRO THERMOPLAST TOILET SEAT

1.4Kg

Thermoplast toilet seat with nylon hinges.



20361

20314 . 20311

20321

## CETUS BASIC

### 135013

#### CETUS BASIC RIMFLUSH VO LOW LEVEL TOILET

360x532x390mm / 18.2Kg

Includes fixing kit.

### 135014

#### CETUS BASIC RIMFLUSH HO LOW LEVEL TOILET

360x532x390mm / 18.2Kg

Includes fixing kit.

### 21062

#### CETUS 52 TOILET SEAT WITH EASYCLIP AND SLOWCLOSE

2.00Kg

Duroplast toilet seat with nylon hinges. With anti-bacterial protection.

### 21031

#### CETUS 52 TOILET SEAT WITH CLIPOFF AND SLOWCLOSE

2.4Kg

Duroplast toilet seat with stainless steel hinges. With anti-bacterial protection.

### 21011

#### CETUS 52 TOILET SEAT WITH CLIPOFF

2.4Kg

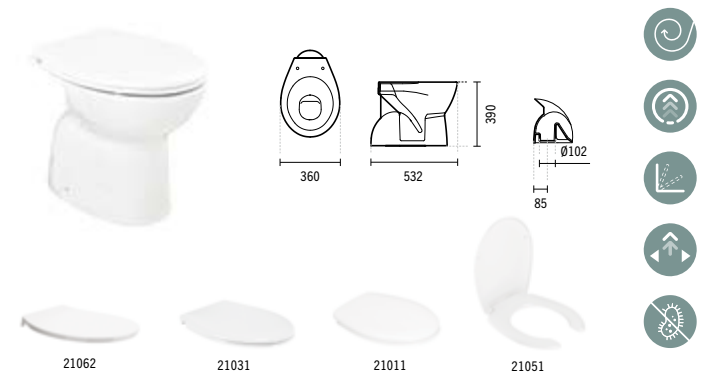
Duroplast toilet seat with stainless steel hinges. With anti-bacterial protection.

### 21051

#### CETUS 52 TOILET SEAT WITH FRONT CUTAWAY

2.0Kg

Duroplast toilet seat with stainless steel hinges. With anti-bacterial protection.



21062

21031

21011

21051

## SYMBOLS



Back to wall



Easyclip



Rimflush



Slowclose



Clipoff



Anti-bacterial



**TOILETS**  
CONFORT



PROGET CONFORT

# PROGET CONFORT

## 1 130021

### PROGET CONFORT VO CLOSE COUPLED TOILET

345x675x470mm / 30.3Kg

Includes fixing kit and pan connector.

## 2 130022

### PROGET CONFORT HO CLOSE COUPLED TOILET

345x675x470mm / 30.3Kg

Includes fixing kit. Does not include pan connector MSKT1986.

## 3 130111LM

### PROGET CONFORT TOILET CISTERN

370x180x364mm / 13.8Kg

Includes cover. Includes 6/3L mechanism.

## 3 130113LM

### PROGET CONFORT TOILET CISTERN WITH SIDE WATER INLET

370x180x362mm / 13.8Kg

Includes cover. Includes 6/3L mechanism.

## 24061

### SLIM TOILET SEAT WITH EASYCLIP AND SLOWCLOSE

2.8Kg

Duroplast toilet seat with stainless steel hinges. With anti-bacterial protection.

## 23031

### PROGET CONFORT TOILET SEAT WITH CLIPOFF AND SLOWCLOSE

1.9Kg

Duroplast toilet seat with stainless steel hinges. With anti-bacterial protection

## 21411

### PROGET CONFORT TOILET SEAT

2.3Kg

Duroplast toilet seat with stainless steel hinges. With anti-bacterial protection.

## MSKT1986

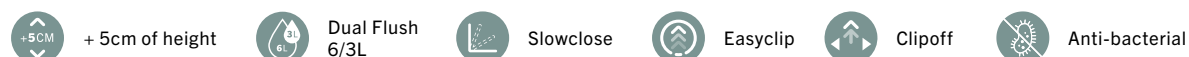
### Ø90 PAN CONNECTOR FOR HO TOILET



#### PACKS PROGET CONFORT

<b>130922</b>	130022 + 130111LM + 2406100	45,0 Kg
<b>130923</b>	130021 + 130113LM + 2141100	45,0 Kg
<b>130924</b>	130022 + 130113LM + 2141100	45,0 Kg
<b>130925</b>	130022 + 130113LM + 2406100	45,0 Kg

#### SYMBOLS





# TOILETS CONFORT



WINNER CONFORT

## WINNER CONFORT

### 1 144021

#### WINNER CONFORT RIMFLUSH VO CLOSE COUPLED TOILET

350x650x457mm / 25.1Kg

Includes fixing kit and pan connector.

### 1 144023

#### WINNER CONFORT RIMFLUSH VO BTW CLOSE COUPLED TOILET WITH HOLES FOR WATER SUPPLY

350x650x457mm / 25.1Kg

Includes fixing kit and pan connector.

### 2 144022

#### WINNER CONFORT RIMFLUSH HO CLOSE COUPLED TOILET

350x650x457mm / 25.1Kg

Includes fixing kit. Does not include pan connector MSKT1986.

### 2 144024

#### WINNER CONFORT RIMFLUSH HO BTW CLOSE COUPLED TOILET WITH HOLES FOR WATER SUPPLY

350x650x457mm / 25.1Kg

Includes fixing kit. Does not include pan connector MSKT1986.

### 3 142111LM

#### WINNER TOILET CISTERN

365x146x415mm / 14.0Kg

Includes cover. Includes 4,5/3L mechanism.

### 3 142113LM

#### WINNER TOILET CISTERN WITH SIDE WATER INLET

365x146x415mm / 14.0Kg

Includes cover. Includes 4,5/3L mechanism.

### 24261

#### WINNER SLIM TOILET SEAT WITH EASYCLIP AND SLOWCLOSE

2.6Kg

Duroplast toilet seat with stainless steel hinges. With anti-bacterial protection.

### 24231

#### WINNER TOILET SEAT WITH EASYCLIP AND SLOWCLOSE

2.6Kg

Duroplast toilet seat with stainless steel hinges. With anti-bacterial protection.

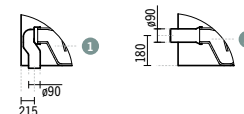
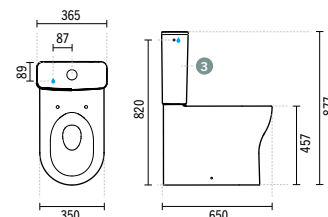
### MSKT1986

#### Ø90 PAN CONNECTOR FOR HO TOILET

#### PACKS WINNER CONFORT

144925	144021 + 142111LM + 24261	50,52 Kg
144926	144022 + 142111LM + 24261	50,52 Kg
144927	144021 + 142113LM + 24261	50,52 Kg
144928	144022 + 142113LM + 24261	50,52 Kg
144921	144021 + 142111LM + 24231	50,52 Kg
144922	144022 + 142111LM + 24231	50,52 Kg
144923	144021 + 142113LM + 24231	50,52 Kg
144924	144022 + 142113LM + 24231	50,52 Kg

#### SYMBOLS



24261



24231





## WINNER CONFORT

### 1 144011

#### WINNER CONFORT RIMFLUSH VO LOW LEVEL TOILET

350x530x464mm

Includes fixing kit and pan connector.

### 2 144012

#### WINNER CONFORT RIMFLUSH HO LOW LEVEL TOILET

350x530x464mm

Includes fixing kit. Does not include pan connector MSKT1986.

### 24261

#### WINNER SLIM TOILET SEAT WITH EASYCLIP AND SLOWCLOSE

2.6Kg

Duroplast toilet seat with stainless steel hinges. With anti-bacterial protection.

### 24231

#### WINNER TOILET SEAT WITH EASYCLIP AND SLOWCLOSE

2.6Kg

Duroplast toilet seat with stainless steel hinges. With anti-bacterial protection.

### MSKT1986

#### Ø90 PAN CONNECTOR FOR HO TOILET



#### SYMBOLS





## AVEIRO CONFORT

### 103024

#### AVEIRO CONFORT HO CLOSE COUPLED TOILET

363x680x455mm / 23.2Kg

Includes fixing kit.

### 103111LM

#### AVEIRO TOILET CISTERN

410x180x408mm / 13.1Kg

Includes cover. Includes single flush mechanism.

### 103113LM

#### AVEIRO TOILET CISTERN WITH SIDE WATER INLET

410x180x408mm / 13.3Kg

Includes cover. Includes single flush mechanism.

### 103111MJ

#### AVEIRO TOILET CISTERN

410x180x408mm / 13.1Kg

Includes cover. Includes 6/3L mechanism.

### 103113MJ

#### AVEIRO TOILET CISTERN WITH SIDE WATER INLET

410x180x408mm / 13.3Kg

Includes cover. Includes 6/3L mechanism.

### 20314

#### AVEIRO TOILET SEAT WITH CLIPOFF AND SLOWCLOSE

2.2Kg

Duroplast toilet seat with stainless steel hinges. With anti-bacterial protection.

### 20311

#### AVEIRO TOILET SEAT WITH CLIPOFF

2.2Kg

Duroplast toilet seat with stainless steel hinges. With anti-bacterial protection.

### 20361

#### AVEIRO THERMOPLAST TOILET SEAT

1.3Kg

Thermoplast toilet seat with stainless steel hinges.

### 20321

#### AVEIRO THERMOPLAST TOILET SEAT

1.4Kg

Thermoplast toilet seat with nylon hinges.



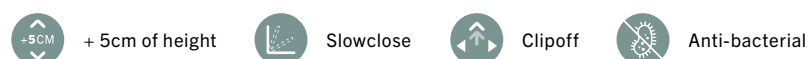
AVEIRO CONFORT



#### PACKS AVEIRO CONFORT

<b>103919</b>	103024 + 103113MJ + 20361	41,20 Kg
<b>103924</b>	103024 + 103113MJ + 20321	41,20 Kg
<b>103925</b>	103024 + 103111MJ + 20321	41,20 Kg
<b>103930</b>	103024 + 103113MJ + 20314	41,20 Kg

#### SYMBOLS





# TOILETS

## SUPPORTS . CISTERNS

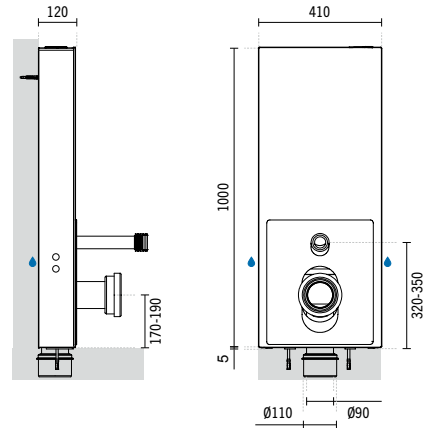
LOW LEVEL TOILETS

### 41833

#### SANGLASS WC UNIT FOR LOW LEVEL TOILET

410x120x1005mm / 22.9Kg

Exterior support for low-level toilet.

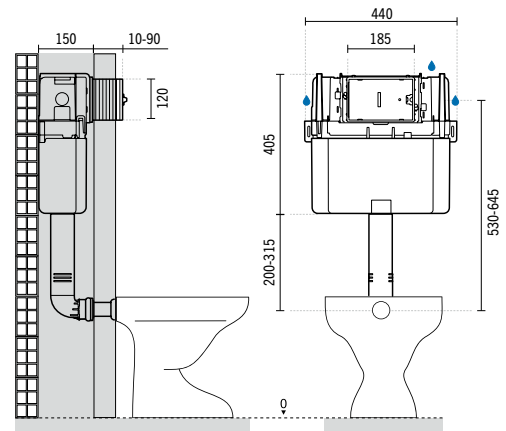


### 445

#### QUADRO CONCEALED CISTERN FOR LOW LEVEL TOILET

440x160x405mm / 3.3Kg

Compatible with plate Quadro. 3/6L cistern for low-level toilet.

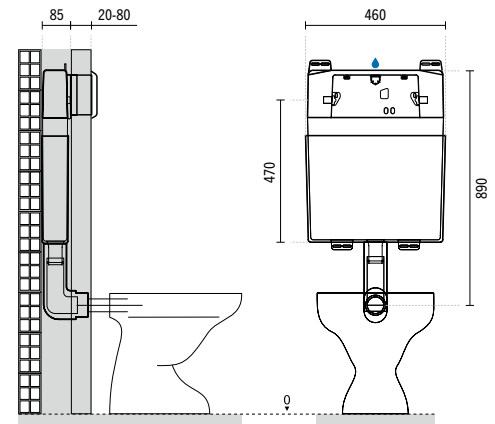


### 40433

#### WALLFIT CONCEALED CISTERN FOR LOW LEVEL TOILET

460x165x470mm / 4.8Kg

3/6L cistern for low-level WC. Compatible with plates Orange, Easy, Plan, Moon and Square.



#### SYMBOLS



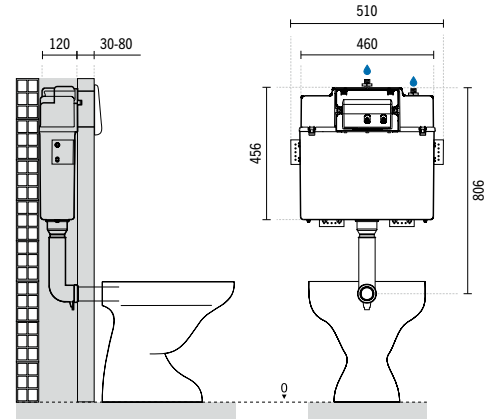
Dual Flush  
6/3L

**40133**

**SWITCH CONCEALED CISTERN FOR LOW LEVEL TOILET**

510x200x456mm / 5.4Kg

3/6L cistern for low-level WC. Compatible with plates Orange, Easy, Plan, Moon and Square.

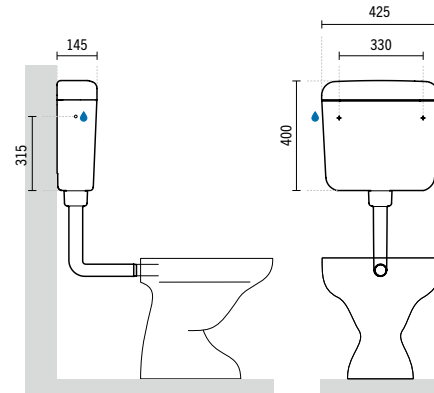


**40562**

**REPLAY LOW LEVEL CISTERN**

425x145x400mm / 2.6Kg

Exterior 3/6L cistern for low-level WC.

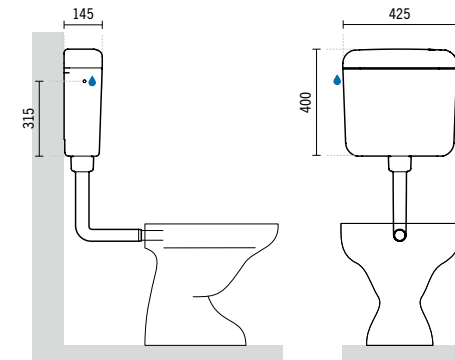


**40561**

**SIMPLE LOW LEVEL CISTERN FOR LOW LEVEL TOILET**

425x145x400mm / 2.5Kg

Exterior cistern for low-level WC.

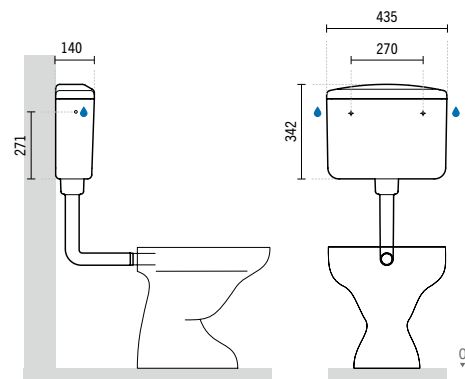


**40261**

**BASIC CISTERN FOR LOW LEVEL TOILET**

435x140x342mm / 2.4Kg

Exterior cistern for low-level WC.



**SYMBOLS**





**TOILETS**  
SUPPORTS . CISTERNS  
WALL HUNG TOILETS

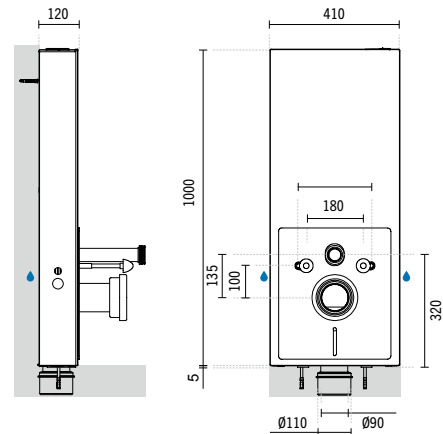


**41733**

**SANGLASS WC UNIT FOR WALL HUNG TOILET**

410x120x1005mm / 22.9Kg

Exterior support for wall hung WC.



**SYMBOLS**



Dual Flush  
6/3L



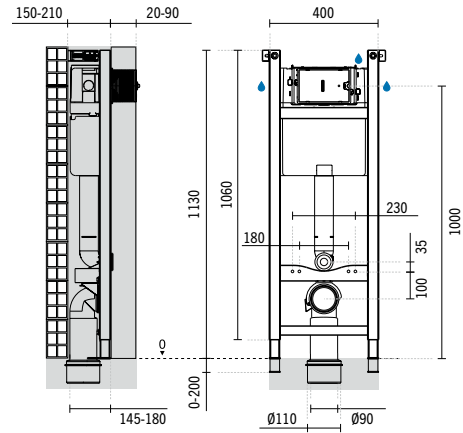
Supported  
Static Weight

**443**

**QUADRO SUPPORT FRAME FOR WALL HUNG TOILET**

400x210x1130mm / 12.8Kg

3/6L cistern. Compatible with plate Quadro.

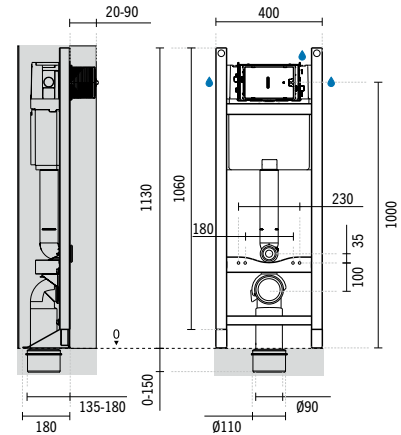


**449**

**QUADRO SELF-SUPPORTING FRAME FOR WALL HUNG TOILET FOR PLASTERBOARD WALLS**

400x180x1130mm / 15.6Kg

3/6L cistern. Compatible with plate Quadro.

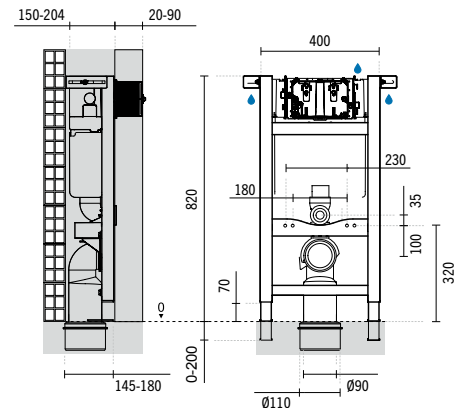


**453**

**QUADRO LOW SUPPORT FRAME FOR WALL HUNG TOILET**

400x150x820mm / 13.0Kgg

3/6L cistern. Compatible with plate Quadro.



**SYMBOLS**



Dual Flush  
6/3L



Supported  
Static Weight



# TOILETS

## SUPPORTS . CISTERNS

WALL HUNG TOILETS

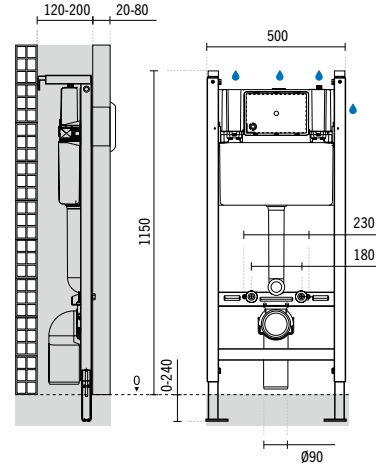
### 40333

#### SANFIX SUPPORT FRAME FOR WALL HUNG TOILET

500x120x1150mm / 13.6Kg

Interior support for wall hung WC. 3/6L cistern.

Compatible with plates Orange, Easy, Plan, Moon and Square.



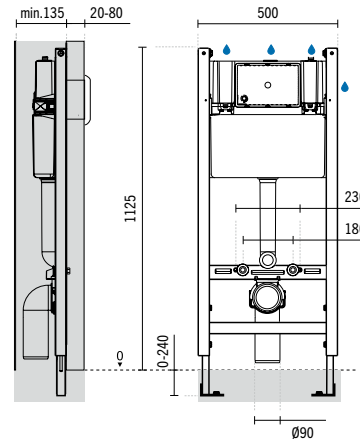
### 40323

#### SANFIX SELF-SUPPORTING FRAME FOR WALL HUNG TOILET

500x135x1125mm / 16.6Kg

Interior support for wall hung WC. 3/6L cistern.

Compatible with plates Orange, Easy, Plan, Moon and Square.



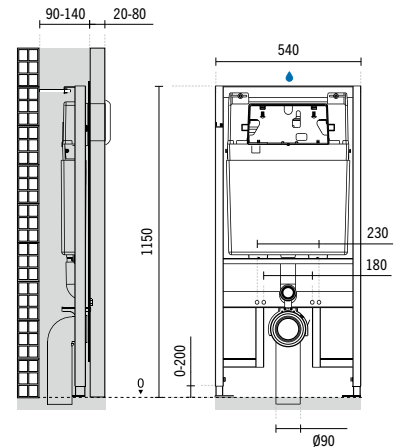
### 40633

#### SANSPLACE SUPPORT FRAME FOR WALL HUNG TOILET

540x140x1150mm / 14.5Kg

3/6L support for wall hung WC.

Compatible with plates Orange, Easy, Plan, Moon and Square.



#### SYMBOLS



Dual Flush  
6/3L



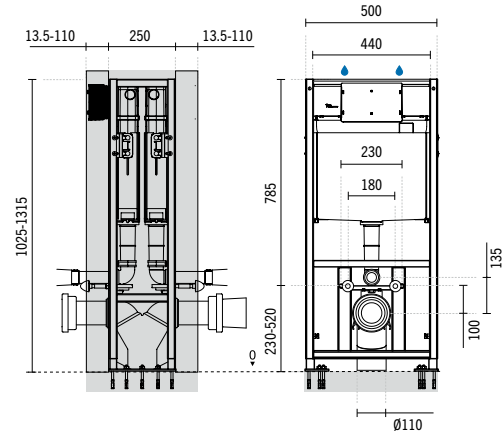
Supported  
Static Weight

**411023**

**SANDOUBLE SELF-SUPPORTING FRAME FOR 2 WALL HUNG TOILETS**

500x490x1315mm / 29.0Kg

Double Freestanding support for wall hung WC.  
Compatible with plate Moove.



**1 40533**

**SANBEST SUPPORT FRAME FOR WALL HUNG TOILET**

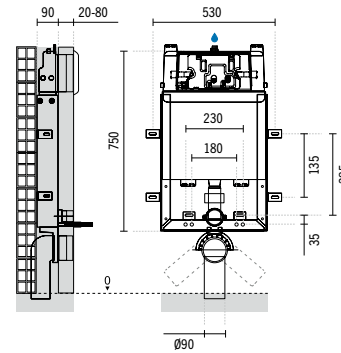
530x90x750mm / 8.2Kg

3/6L cistern support for wall hung WC.  
Compatible with plates Orange, Easy, Plan, Moon and Square.

**2 4A0233**

**SUPPORT FRAME LEGS**

1.0Kg

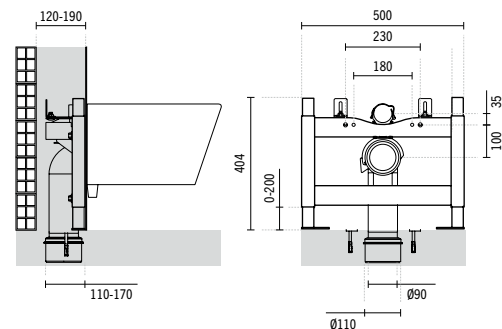


**432**

**SUPPORT FRAME W/O CISTERN FOR WALL HUNG TOILET**

500x120x404mm / 7.0Kg

Compatible with interior flow meters and electronic Plan plate.



**SYMBOLS**



Dual Flush  
6/3L



Supported  
Static Weight



# TOILETS

## SUPPORTS . CISTERNS

WALL HUNG TOILETS

### 1 40233

#### SANFLUSH SUPPORT FRAME FOR WALL HUNG TOILET

520x200x745mm / 9.1Kg

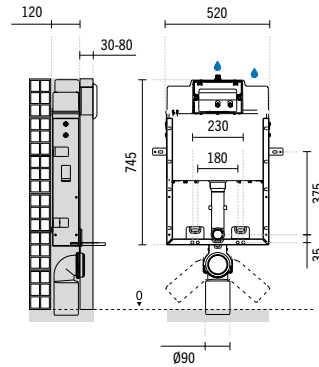
3/6L support for wall hung WC.

Compatible with plates Orange, Easy, Plan, Moon and Square.

### 2 4A0233

#### SUPPORT FRAME LEGS

1.0Kg



### 5E12077

#### PLAN SUPPORT FRAME WITH BATTERY OPERATED ELECTRONIC FLUSH PLATE FOR WALL HUNG TOILET

470x250x1140mm / 18.9Kg

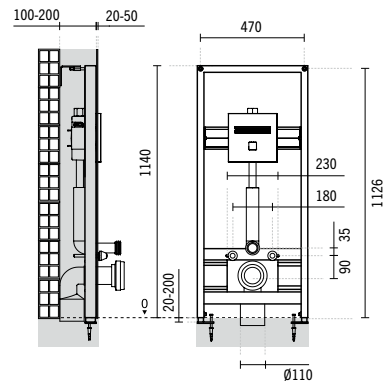
Includes plate discharge Plan 5120771 and fixing kit.

### 5E12078

#### PLAN SUPPORT FRAME WITH MAINS OPERATED ELECTRONIC FLUSH PLATE FOR WALL HUNG TOILET

470x100x1140mm / 18.9Kg

Includes plate discharge Plan 5120781 and fixing kit.



#### SYMBOLS



Dual Flush  
6/3L



Supported  
Static Weight



**1 4493311**

**PACK SANSIMPLE SUPPORT FRAME FOR WALL HUNG TOILET AND CHROME PL01 FLUSH PLATE**

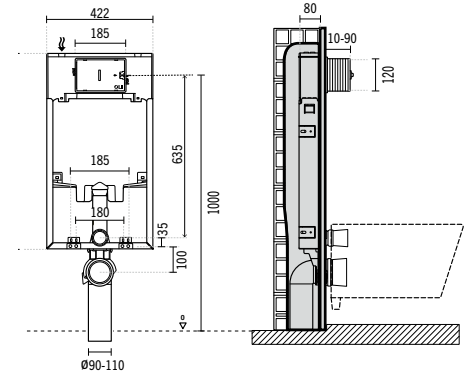
16.3Kg  
3/6L support frame. Includes PL01 flush plate (chrome).

**2 4A63**

**SUPPORT FRAME LEGS**  
1.0Kg



1



2

**462NF**

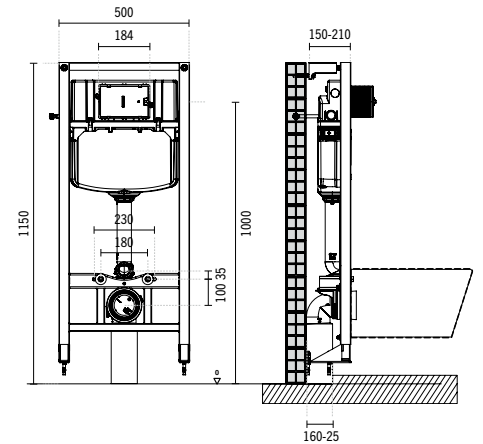
**SANEASY SELF-SUPPORTING FRAME FOR WALL HUNG TOILET**  
16.3Kg

3/6L support frame. Compatible with PL01 flush plate.

**46910**

**PACK SANEASY SUPPORT FRAME FOR WALL HUNG TOILET AND WHITE PL01 FLUSH PLATE**

16.3Kg  
3/6L support frame. Includes PL01 flush plate (white).



**1 41233**

**SANSLIM SUPPORT FRAME FOR WALL HUNG TOILET**

485x195mm / 9.5Kg  
3/6L support for wall hung WC. Compatible with plate To-Slim and Moove.

**1 41933**

**SANSLIM SUPPORT FRAME FOR WALL HUNG TOILET AND TO-SLIM FLUSH PLATE**

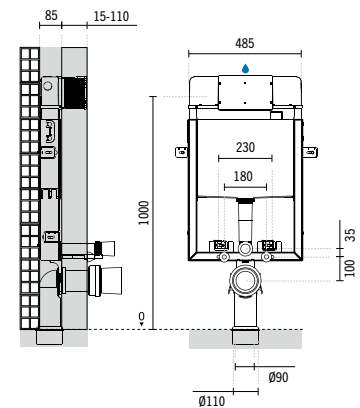
485x195mm / 9.5Kg  
Pack 3/6L support for wall hung WC + Plate To-Slim.  
Compatible with plate To-Slim.

**2 4A0233**

**SUPPORT FRAME LEGS**  
1.0Kg

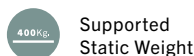
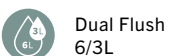


1



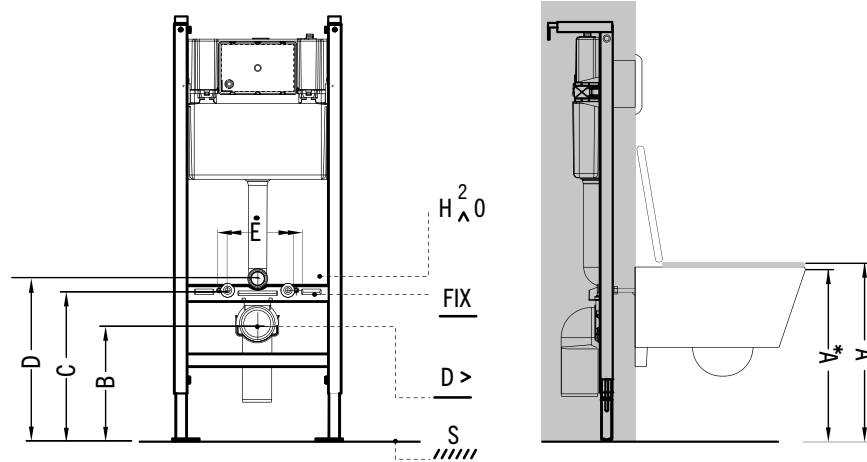
2

**SYMBOLS**





**INSTALLATION DIMENSIONS**

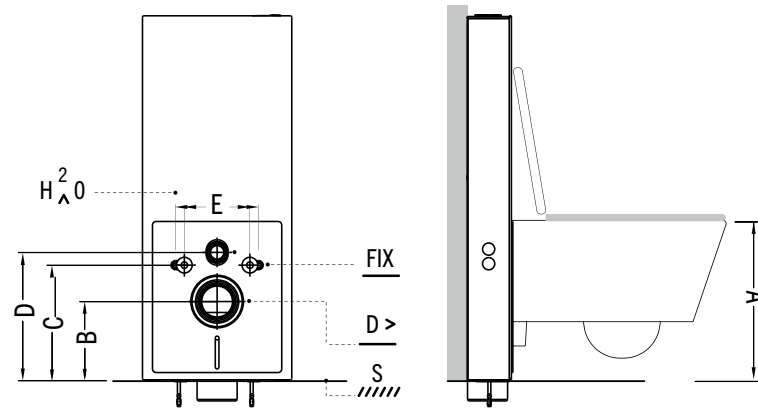


		A	B	C	D	E
<b>CETUS 48</b>		420	224	340	375	180
<b>CETUS 52</b>		420	225	330	360	180
<b>URB.Y 48</b>		420	230	335	365	180
<b>URB.Y 52</b>		420	240	335	375	180
<b>WCA</b>		420	215	315	350	230
<b>ADVANCE</b>		420	239	339	374	180
<b>LOOK</b>		420	230	325	361	180
<b>SANIBOLD</b>		420	222	327	360	180
<b>SANLIFE</b>		420	240	339	375	180
<b>AVEIRO 70</b>		450*	270	370	405	180
<b>NEW WCCARE</b>		450*	202	302	337	230

**SYMBOLS**



## INSTALLATION DIMENSIONS



		MANDATORY QUOTA				
		A	B	C	D	E
URB.Y 48		405	215	320	350	180
URB.Y 52		405	225	320	360	180
WCA		425	220	320	355	230
ADVANCE		400	219	320	355	180
LOOK		415	225	320	356	180
SANIBOLD		413	215	320	353	180
SANLIFE		400	220	320	355	180

### SYMBOLS



Rimflush

FIX

Fixation

$H_2O$

Water Supply

D >

Flush

S  
////

Finish Floor



## PLAN

### 40013

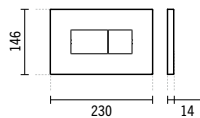
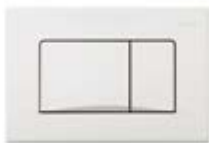
#### PLAN FLUSH PLATE

255x18x170mm / 0.8Kg

Plate for 3/6L countertop cistern.

Finishing in white [00], chrome [11], satin chrome [13] and matt black [26].

Compatible with: Sanfix, Sanflush, Switch, Wallfit, Sanspace and Sanbest.



#### AVAILABLE COLOURS



White  
4001300



Chrome  
4001311



Satin Chrome  
4001313



Matt Black  
4001326

## SQUARE

### 40043

#### SQUARE FLUSH PLATE

242x16x174mm / 0.6Kg

Plate for 3/6L countertop cistern.

Finishing in white (10) and chrome/wengué (73).

Compatible with: Sanfix, Sanflush, Switch, Wallfit, Sanspace and Sanbest.

### 40043

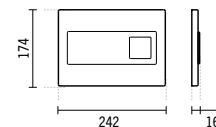
#### SQUARE FLUSH PLATE

242x16x174mm / 0.6Kg

Plate for 3/6L countertop cistern.

Finishing in chrome/white glass [00].

Compatible with: Sanfix, Sanflush, Switch, Wallfit, Sanspace and Sanbest.



#### AVAILABLE COLOURS



White and Chrome  
4004310



White Glass  
and Chrome  
4004300



Wengué  
and Chrome  
4004373



## MOON

### 40033

#### MOON FLUSH PLATE

242x16x174mm / 0.5Kg

Plate for 3/6L countertop cistern.

Finishing in white (10) and chrome/zebrano (89).

Compatible with: Sanfix, Sanflush, Switch, Wallfit, Sanspace and Sanbest.

### 40033

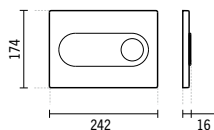
#### MOON FLUSH PLATE

242x16x174mm / 0.5Kg

Plate for 3/6L countertop cistern.

Finishing in chrome/green glass [18].

Compatible with: Sanfix, Sanflush, Switch, Wallfit, Sanspace and Sanbest.



#### AVAILABLE COLOURS



White and Chrome  
4003310



Green Glass  
and Chrome  
4003318



Zebrano  
and Chrome  
4003389

## QUADRO

### 44300

#### QUADRO FLUSH PLATE

230x14x146mm / 0.5Kg

Plate for 3/6L countertop cistern.

Finishing in white [00].

Compatible with: 443, 445, 449 and 453.

### 44311

#### QUADRO FLUSH PLATE

230x14x146mm / 0.5Kg

Plate for 3/6L countertop cistern.

Finishing in chrome [11].

Compatible with: 443, 445, 449 and 453.

### 44313

#### QUADRO FLUSH PLATE

230x14x146mm / 0.5Kg

Plate for 3/6L countertop cistern.

Finishing in satin chrome [13].

Compatible with: 443, 445, 449 and 453.

### 4430

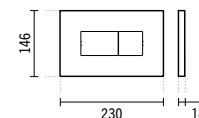
#### QUADRO FLUSH PLATE

230x14x146mm / 0.5Kg

Plate for 3/6L countertop cistern.

Finishing in soft touch grey [03] and black [06].

Compatible with: 443, 445, 449 and 453.



#### AVAILABLE COLOURS



White  
44300



Chrome  
44311



Satin Chrome  
44313



Soft Touch  
Grey  
44303



Soft Touch  
Black  
44306



# TOILETS PLATES



## MOOVE

**41033**

**MOOVE FLUSH PLATE**

247x8.5x160mm / 0.9Kg

Plate for 3/6L countertop cistern.

Finishing in chrome.

Compatible with: Sandouble and Sanslim.

**41033**

**MOOVE FLUSH PLATE**

247x8.5x160mm / 0.9Kg

Plate for 3/6L countertop cistern.

Finishing in white/chrome.

Compatible with: Sandouble and Sanslim.

**41033**

**MOOVE FLUSH PLATE**

247x8.5x160mm / 0.9Kg

Plate for 3/6L countertop cistern.

Finishing in white/gold.

Compatible with: Sandouble and Sanslim.

**41033**

**MOOVE FLUSH PLATE**

247x8.5x160mm / 0.9Kg

Plate for 3/6L countertop cistern.

Finishing in black matt.

Compatible with: Sandouble and Sanslim.

**41033**

**MOOVE FLUSH PLATE**

247x8.5x160mm / 0.9Kg

Plate for 3/6L countertop cistern.

Finishing in black matt/chrome.

Compatible with: Sandouble and Sanslim.

**41033**

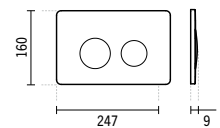
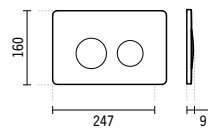
**MOOVE FLUSH PLATE**

247x8.5x160mm / 0.9Kg

Plate for 3/6L countertop cistern.

Finishing in black matt/gold.

Compatible with: Sandouble and Sanslim.



**AVAILABLE COLOURS**



Chrome  
4103311



White and  
Chrome  
4103310



White and  
Gold  
4103382

**AVAILABLE COLOURS**



Matt Black  
4103326



Matt Black and  
Chrome  
4103316



Matt Black and  
Gold  
4103337

## PLAN

**512077**

### PLAN BATTERY OPERATED ELECTRONIC FLUSH PLATE

220x12x220mm / 2.7Kg

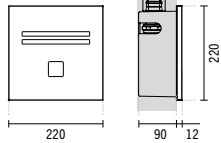
3/6L electronic plate for low-level and wall hung WC with battery. Chromed finishing. Compatible with Plan.

**512078**

### PLAN MAINS OPERATED ELECTRONIC FLUSH PLATE

220x12x220mm / 2.9Kg

3/6L electronic plate for low-level and wall hung WC with transformer. Chromed finishing. Compatible with Plan.



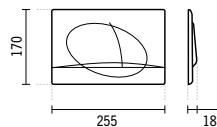
## ORANGE

**40003**

### ORANGE FLUSH PLATE

255x18x170mm / 0.8Kg

Plate for 3/6L countertop cistern. Finishing in white, chrome, satin chrome and matt black. Compatible with: Sanfix, Sanflush, Switch, Wallfit, Sanspace and Sanbest.



#### AVAILABLE COLOURS



White  
4000300



Matt Black  
4000326



Chrome  
4000311



Satin Chrome  
4000313

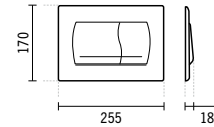
## EASY

**40023**

### EASY FLUSH PLATE

255x18x170mm / 0.8Kg

Plate for 3/6L countertop cistern. Finishing in white, chrome and satin chrome. Compatible with: Sanfix, Sanflush, Switch, Wallfit, Sanspace and Sanbest.



#### AVAILABLE COLOURS



White  
4002300



Chrome  
4002311



Satin Chrome  
4002313

## PL01

**4620**

### PL01 FLUSH PLATE

230x6,5x150mm / 0.5Kg

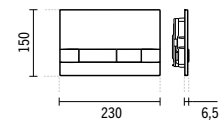
Plate for dual flush concealed cistern. Finishing in white and matt black.

**4620**

### PL01 FLUSH PLATE

230x6,5x150mm / 0.5Kg

Plate for dual flush concealed cistern. Finishing in chrome.



#### AVAILABLE COLOURS



White  
462000



Matt Black  
462026



Chrome  
462011







**WINNER**

**BACK TO WALL**

SANLIFE **113**  
 ADVANCE **113**  
 SANIBOLD **114**  
 URB.Y PLUS **115**  
 URB.Y **116**  
 LOOK **117**  
 WINNER **118**  
 EASY **119**

**WALL HUNG**

SANLIFE **129**  
 WCA **130**  
 ADVANCE **130**  
 SANIBOLD **131**  
 URB.Y **132**  
 LOOK **133**  
 WINNER **134**  
 CETUS **135**

**STANDARD**

VINTAGE **120**  
 URB.Y **121**  
 WINNER **122**  
 EASY **123**  
 ALFA **124**  
 AVEIRO **125**

**SUPPORTS**

SUPPORTS **136**  
 INSTALLATION  
 DIMENSIONS **137**

**CONFORT**

PROGET CONFORT **127**



# BIDETS BACK TO WALL



SANLIFE



## SANLIFE

**136410**

### SANLIFE BTW BIDET

380x592x410mm / 27.6Kg

Includes fixing kit and pan connector.

**136415**

### SANLIFE BTW BIDET WITH HOLES FOR COVER

380x592x410mm / 27.6Kg

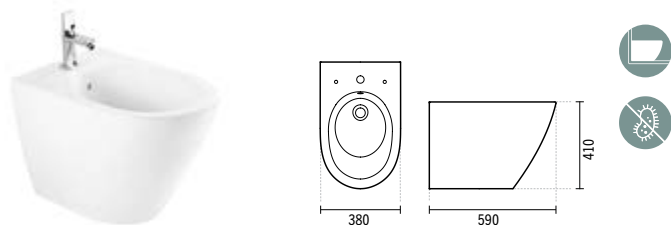
Includes fixing kit and pan connector.

**23641**

### SANLIFE CLIPOFF SLOWCLOSE BIDET COVER

1.4Kg

Duroplast toilet seat with stainless steel hinges. With anti-bacterial protection.



## ADVANCE

**127410**

### ADVANCE BTW BIDET

350x530x410mm / 20.8Kg

Includes fixing kit.

**127415**

### ADVANCE BTW BIDET WITH HOLES FOR COVER

350x530x410mm / 20.8Kg

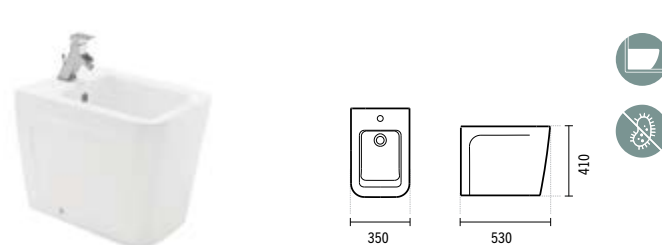
Includes fixing kit.

**22741**

### ADVANCE BIDET COVER

1.7Kg

Duroplast toilet seat with stainless steel hinges. With anti-bacterial protection.



## SYMBOLS



Back to wall



Anti-bacterial



# BIDETS

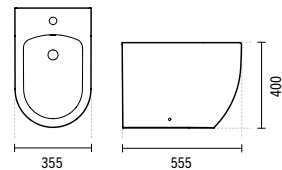
BACK TO WALL



## SANIBOLD

137410

SANIBOLD BTW BIDET  
355x555x398mm / 24.9Kg



### SYMBOLS





## URB.Y PLUS

**146410**

**URB.Y PLUS BTW BIDET**

345x555x400mm / 27.0Kg

Includes fixing kit.

**146415**

**URB.Y PLUS BTW BIDET WITH HOLES FOR COVER**

345x555x400mm / 27.0Kgg

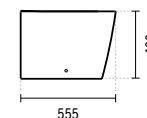
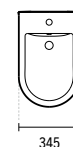
Includes fixing kit.

**24041**

**URB.Y BIDET COVER**

1.7Kg

Duroplast bidet cover with stainless steel hinges. With anti-bacterial protection.



### SYMBOLS



Back to wall



Anti-bacterial



# BIDETS

## BACK TO WALL



URB.Y

## URB.Y

### 140420

#### URB.Y BTW BIDET

357x550x395mm / 24.9Kg

Includes fixing kit.

Colours available upon request: matt white and matt black.

### 140425

#### URB.Y BTW BIDET WITH HOLES FOR COVER

357x550x395mm / 24.9Kg

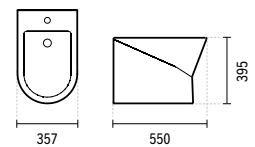
Includes fixing kit.

### 24041

#### URB.Y BIDET COVER

1.7Kg

Duroplast bidet cover with stainless steel hinges. With anti-bacterial protection.



#### AVAILABLE COLOURS



White  
140420004  
140425004



Matt white  
140420604



Matt black  
140420264

#### SYMBOLS



Back to wall



Anti-bacterial



## LOOK

### 134410

**LOOK BTW BIDET**  
350x520x407mm / 23.9Kg  
Includes fixing kit.

### 134420

**LOOK BTW BIDET WITH HOLES FOR HOSE**  
350x520x407mm / 23.9Kg  
Includes fixing kit.

### 134415

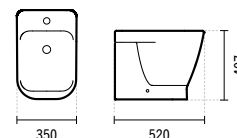
**LOOK BTW BIDET WITH HOLES FOR COVER**  
350x520x407mm / 23.9Kg  
Includes fixing kit.

### 134425

**LOOK BTW BIDET WITH HOLES FOR HOSE & COVER**  
350x520x407mm / 23.9Kg  
Includes fixing kit.

### 23441

**LOOK CLIPOFF SLOWCLOSE BIDET COVER**  
1.7Kg  
Duroplast toilet seat with stainless steel hinges. With anti-bacterial protection.



#### SYMBOLS



Back to wall



Anti-bacterial



Slowclose



Clipoff



# BIDETS

## BACK TO WALL



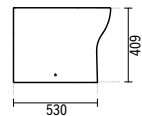
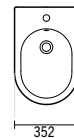
## WINNER

142420

**WINNER BTW BIDET**

352x530x409mm

Includes fixing kit.



### SYMBOLS







EASY

## EASY

### 131420

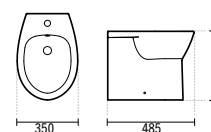
**EASY BTW BIDET**  
350x485x397mm / 16.4Kg  
Includes fixing kit.

### 131425

**EASY BTW BIDET WITH HOLES FOR COVER**  
350x485x397mm / 16.4Kg  
Includes fixing kit.

### 23141

**EASY BIDET COVER**  
1.2Kg  
Duroplast toilet seat with stainless steel hinges.  
With anti-bacterial protection. With grip on top.



## SYMBOLS



Back to wall



Anti-bacterial



# BIDETS



VINTAGE

## VINTAGE

**117410**

**VINTAGE BIDET**

370x565x435mm / 23.5Kg

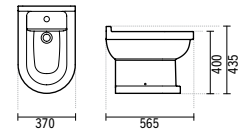
Includes fixing kit.

**117411**

**VINTAGE BIDET WITH 3 TAP HOLES**

370x565x435mm / 23.5Kg

Includes fixing kit.



### SYMBOLS





URB.Y

## URB.Y

### 140410

**URB.Y BIDET**

355x552x396mm / 22.4Kg

Includes fixing kit.

Colours available upon request: matt white and matt black.

### 140415

**URB.Y BIDET WITH HOLES FOR COVER**

355x552x396mm / 22.4Kg

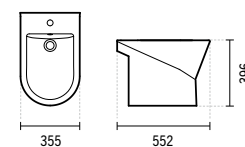
Includes fixing kit.

### 24041

**URB.Y BIDET COVER**

1.7Kg

Duroplast bidet cover with stainless steel hinges. With anti-bacterial protection.



**AVAILABLE COLOURS**



White  
140420004  
140425004



Matt white  
140420604



Matt black  
140420264

**SYMBOLS**



Anti-bacterial



# BIDETS



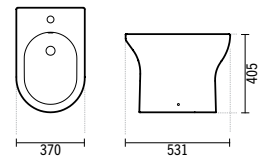
## WINNER

**1 4 2 4 1 0**

**WINNER BIDET**

352x531x405mm / 22.7Kg

Includes fixing kit.



### SYMBOLS





EASY

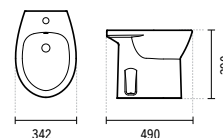
## EASY

131430

EASY BIDET WITH VERTICAL FIXING

344x490x390mm

Includes fixing kit.



### SYMBOLS



Anti-bacterial



# BIDETS



## ALFA

**100410**

**ALFA BIDET**

368x565x408mm / 15.5Kg

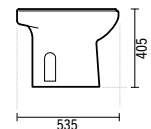
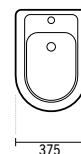
Includes fixing kit. Includes fixing kit.

**22141**

**ALFA BIDET COVER**

1.4Kg

Duroplast toilet seat with stainless steel hinges. With anti-bacterial protection.



### SYMBOLS





AVEIRO

## AVEIRO

**103410**

**AVEIRO BIDET**

368x565x408mm / 15.5Kg

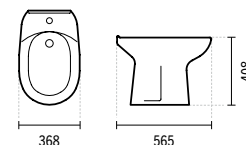
Includes fixing kit. Includes fixing kit.

**20341**

**AVEIRO BIDET COVER**

1.4Kg

Duroplast toilet seat with stainless steel hinges. With anti-bacterial protection.



### SYMBOLS



Anti-bacterial



# BIDETS CONFORT



PROGET CONFORT



## PROGET CONFORT

---

**1 3 0 4 1 0**

---

**PROGET CONFORT BIDET**

345x600x485mm / 22.7Kg

Includes fixing kit.

---

**2 1 4 4 1**

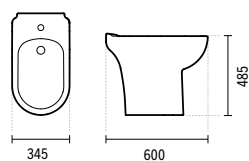
---

**PROGET CONFORT BIDET COVER**

1.3Kg

Duroplast toilet seat with stainless steel hinges. With anti-bacterial protection.

---



### SYMBOLS



Anti-bacterial



# BIDETS WALL HUNG



SANLIFE



TEXTURED SANLIFE



## SANLIFE

### 1 3 6 4 5 0

#### SANLIFE WALL HUNG BIDET

380x560x290mm / 20.5Kg

Colours available upon request:  
matt white, matt black, matt taupe and matt gold/white.

### 1 3 6 4 5 0

#### TEXTURED SANLIFE WALL HUNG BIDET

380x560x290mm / 20.5Kg

Colours available upon request:  
textured matt white, textured matt black, and textured matt gold/white.

### 1 3 6 4 5 5

#### SANLIFE WALL HUNG BIDET WITH HOLES FOR COVER

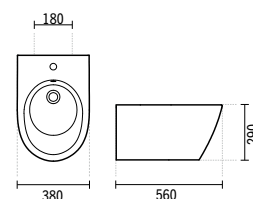
380x560x290mm / 20.5Kg

### 2 3 6 4 1

#### SANLIFE SLOWCLOSE CLIPOFF BIDET COVER

1.4Kg

Duroplast toilet seat with stainless steel hinges. With anti-bacterial protection.



#### AVAILABLE COLOURS



White  
136450004



Matt white



Matt taupe  
136450274



Matt black  
136450264



Textured matt white  
136450804



Textured matt gold/white  
136450D44



Matt gold/white  
136450D24



Textured matt black  
136450B64

#### SYMBOLS



Wall-hung



Upper fixings



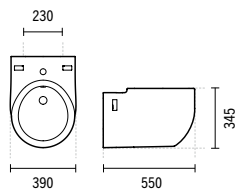
Anti-bacterial



## WCA

**111450**

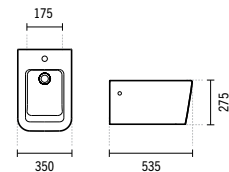
**WCA WALL HUNG BIDET**  
390x550x345mm / 25.5Kg



## ADVANCE

**127450**

**ADVANCE WALL HUNG BIDET**  
350x535x275mm / 20.8Kg  
Includes fixing kit.



### SYMBOLS



Wall-hung



Anti-bacterial



SANIBOLD

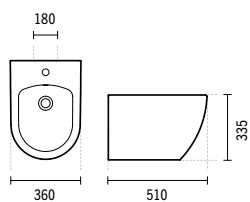
## SANIBOLD

137440

**SANIBOLD WALL HUNG BIDET 50**

360x508x335mm / 20.7Kg

Colours available upon request: matt white and matt black.



### AVAILABLE COLOURS



White  
137440004



Matt white  
137440604



Matt black  
137440264

### SYMBOLS



Wall-hung



Anti-bacterial



## URB.Y

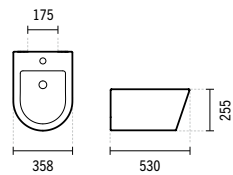
### 140440

#### 52 WALL HUNG BIDET URB.Y

358x530x254mm / 18.9Kg

Includes fixing kit. With embellisher ring.

Colours available upon request: matt white, matt grey, matt taupe and matt black.



#### AVAILABLE COLOURS



White  
140440004



Matt white  
140440604



Matt grey  
140440015

Available soon  
july 2024



Matt taupe  
140440274



Matt black  
140440264

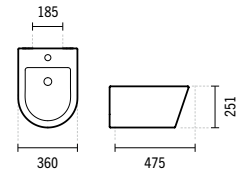
### 140450

#### 48 URB.Y WALL HUNG BIDET

360x475x251mm / 16.8Kg

Includes fixing kit. With embellisher ring.

Colours available upon request: matt white, matt grey, matt taupe and matt black.



#### AVAILABLE COLOURS



White  
140450004



Matt white  
140450604



Matt grey  
140450015

Available soon  
july 2024



Matt taupe  
140450274



Matt black  
140450264

#### SYMBOLS



Wall-hung



Anti-bacterial



Lower fixings



## LOOK

### 1 3 4 4 4 0

#### LOOK WALL HUNG BIDET

348x500x305mm / 20.2Kg

Colours available upon request: matt grey and matt black.

### 1 3 4 4 4 5

#### LOOK WALL HUNG BIDET W/HOLES F/COVER

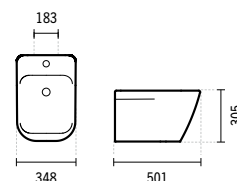
342x503x300mm / 20.0Kg

### 2 3 4 4 1

#### LOOK CLIPOFF SLOWCLOSE BIDET COVER

1.7Kg

Duroplast toilet seat with stainless steel hinges. With anti-bacterial protection.



#### AVAILABLE COLOURS



White  
134440004



Matt grey  
134440015

Available soon  
july 2024



Matt black  
134440264

Available soon  
july 2024

#### SYMBOLS



Wall-hung



Anti-bacterial



Lower fixings



Slowclose



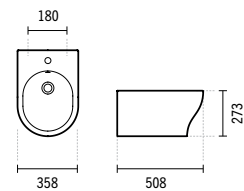
Clipoff



**WINNER**

1 4 2 4 5 0

WINNER WALL HUNG BIDET  
358x508x273mm / 22.7Kg



**SYMBOLS**



Wall-hung



Anti-bacterial





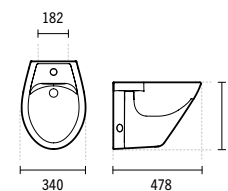
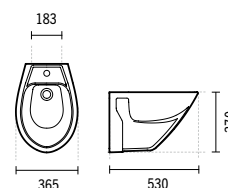
## CETUS

**110450**

52 CETUS WALL HUNG BIDET  
365x530x370mm / 16.3Kg

**110440**

48 CETUS WALL HUNG BIDET  
340x478x363mm / 15Kg



### SYMBOLS



Wall-hung



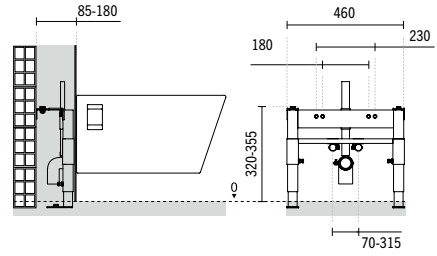
Anti-bacterial



## SUPPORTS

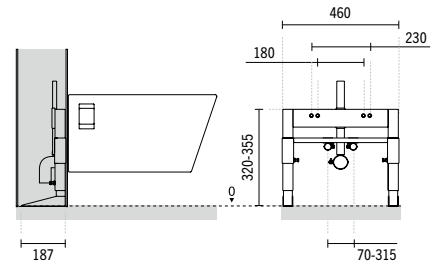
**430**

**SUPPORT FRAME FOR WALL HUNG BIDET**  
6.0Kg



**439**

**SELF-SUPPORTING FRAME FOR WALL HUNG BIDET**  
7.8Kg

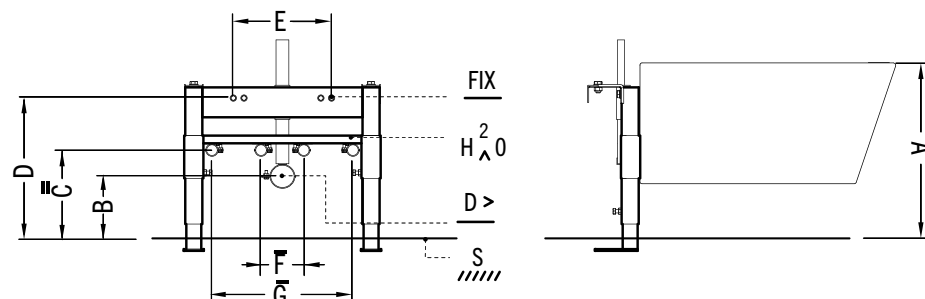




### SYMBOLS



Supported  
Static Weight

## INSTALLATION DIMENSIONS



	A	B	C	D	E	F	G
<b>CETUS 48</b>	420	115	180	326	180	100	300
<b>CETUS 52</b>	420	115	180	330	180	100	300
<b>URB.Y 48</b>	420	115	180	340	180	100	300
<b>URB.Y 52</b>	420	115	165	340	180	145	300
<b>WCA</b>	420	145	210	320	230	100	-
<b>ADVANCE</b>	420	194	259	354	180	100	-
<b>LOOK</b>	420	140	140	350	180	120	300
<b>LOOK</b> 	420	130	140	350	180	135	300
<b>SANLIFE</b>	420	145	170	345	180	150	300
<b>SANIBOLD</b>	420	130	130	340	180	130	300
<b>SANIBOLD</b> 	420	140	130	335	180	130	300



### SYMBOLS



Hidden fixings

**FIX**

Fixation

**H<sup>2</sup>O**

Water Supply

**D >**

Flush

**S**

Finish Floor

1. Except for specific conditions previously established and/or ratified, any and every goods travel for account and risk of the customer, even if it is by Sanindusa transport.

2. All customers accept unreservedly that the confirmation of orders by Sanindusa is merely indicative given the nature of Sanindusa products, particularly ceramic products, which does not allow being otherwise. That indicative confirmation remains always dependent of the pro-forma invoice confirmation by the customer.

3. All customers accept unreservedly that it is mandatory for them to check and verify technically the goods upon arrival at their facilities. Should the customer notice any non conformity, it must be recorded on the delivery note handed over by the transporter, after which the customer has 48 real hours to write down and report the incident by claim form GQR005 fully filled, which must compulsorily be sent by e-mail to Sanindusa commercial services. The non observance of the established above in its all or part, determines disentanglement of any and every Sanindusa responsibilities and warranties.

4. All customers accept unreservedly that Sanindusa responsibility concerning warranties can only come into force after the fulfilment of the established in point 3 as well as after the reception of the detachable warranty bulletin that accompanies the product, and this by the minimum periods of time established according to the Portuguese decree law nº 67/2003 and the (Portuguese) General Urban Building Regulation 38382 of 07/08/1951, being possible the increase/adjustment of these periods by decision of Sanindusa and/or by justified and documented negotiation with the customer.

5. All customers accept unreservedly that they are bound to identify and record the traceability markings of each piece, Sanindusa invoice number and addressee at the sale moment to which follows the return of the warranty detachable bulletin that accompanies the piece by the end user, actions without which all customers accept unreservedly the possibility of not being granted acceptance of potential claims/coming into force of warranty due to lack of elements that enable Sanindusa technical teams to adequately evaluate as well as Sanindusa taking action according to the warranties it gives

6. All customers accept unreservedly that the acceptance of every claim remains dependant of presentation of irrefutable evidence, be it the claimed product or detailed photographs of it depicting the damages/non-conformities, even if the product is severely damaged. This duly identified and recorded as established in point 3. Should this not be done in all or part, Sanindusa reserves the right of not accepting any claim and correspondent request of replacement.

7. All customers accept unreservedly that they are not entitled to and may not block any payment, by way of a claim, no matter the products concerned. All clients fully pay the amounts mentioned in the invoice within the established timings, including the ones due for the product/s they intend to claim, and proceed to claim as established in point 3.

8. All customers accept unreservedly that the claim is submitted to the evaluation of Sanindusa accredited technicians and accept waiting for the time considered necessary to:

8.1. The evidence of the claimed arrives at Sanindusa Facilities within the maximum delay of 15 working days, or;

8.2. Sanindusa accepts the possibility or not, of being indispensable the visit of a credited technician to the customer facilities in order to perform expert inspection and deliberate or;

8.3. The presented evidences being evaluated. All costumers accept the fact that should technical acceptance not be given, Sanindusa is not compelled

to perform any replacement. Whatsoever All customers accept unreservedly that the presentation of evidences whose nature/condition does not allow the evaluation of the defect/non-conformity beyond any doubt, result in the established in point 8.2 or in the non-acceptance of the claim and consequent non replacement of the claimed product.

9. All customers accept unreservedly that each and every replacement of claimed product, whose defect origin is confirmedly of Sanindusa, is done by replacing it with another same product or by crediting its value.

10. All customers accept also unreservedly that besides the product to be replaced or the crediting of its value, no other responsibility falls on Sanindusa and Sanindusa is at no time liable to be penalised legally, juridically, economically and/or by any other way.

11. All clients accept unreservedly that if Sanindusa so wishes, joint expert inspection/follow up actions are organised periodically at the facilities of the customer to deliberate technically, evaluate the storage/handling conditions of the customer.

12. All clients accept unreservedly and compromise them selves to respect the fact that as they receive the goods well packaged and protected, they must imperatively act the same way should the need of returning one good, arise, even if the good is severely damaged. The goods must be impeccable as far as cleanliness and packaging, although as far as packaging is concerned, not necessarily in the original package but in one as good and adequate as the original. All customers accept unreservedly that if they do not comply in all or in part with the established above, this imply the non-acceptance of the claim and consequent replacement as well as the right of Sanindusa to return the claimed goods to the customer.

13. All clients accept unreservedly that any unauthorised change performed by them to the product in its all or part, automatically frees Sanindusa from the responsibility of any compromise, as well as placing it in the situation of, if it so wishes, to proceed legally and juridically against any client that incurs in such practice, being this liable to end with the payment by the client to Sanindusa of adequate indemnities set by a competent juridical entity of Aveiro district.

14. All clients accept unreservedly that the intellectual and industrial ownership entitlement of the products conceived, developed, produced by Sanindusa, produced for Sanindusa, belong exclusively to Sanindusa. Being so any copy, reproduction not authorised by writing by Sanindusa, determines the cessation of any commercial activity between Sanindusa and the transgressor costumers.

15. All clients accept unreservedly that given the complexity of these matters, all omissions and interpretations possible will always be oriented towards the presentation of irrefutable evidence, continuous improvement, and partnership improvement, commercial respect, which allow Sanindusa to evolve further and ever more, therefore always on benefit of Sanindusa.

The presented products follow technical specifications from SANINDUSA, in accordance with the international regulations.

The colours and dimensions of pieces are merely a reference.

We reserve the right to introduce technical improvements in our products without previous notice.

We don't hold ourselves responsibility for any changes in the characteristics of the products in this catalogue.

**Check the availability / term of the new products before placing the order.**



**INFORMATIONS**  
[WWW.SANINDUSA.COM](http://WWW.SANINDUSA.COM)



## CATALOG · TOILETS & BIDETS





# SANINDUSA

THE PATH OF WATER

Z.I. Aveiro Sul . P.O.Box 43  
3811-901 Aveiro, Portugal  
+351 234 940 250

(CHAMADA P/ A REDE FIXA NACIONAL . PORTUGUESE LANDLINE NETWORK CALL)

[sanindusa.com](http://sanindusa.com) . [sanindusa@sanindusa.com](mailto:sanindusa@sanindusa.com)

09-2024

